

Xplova NOZA V

**NOZA V
BIKE POWER TRAINER
Quick Start Guide**

**NOZA V 單車功率訓練台
快速入門手冊**

**NOZA V バイク パワー トレーナー
クイック スタート ガイド**

**NOZA V 바이크 파워 트레이너
빠른 시작 안내서**

**NOZA V FAHRRADTRAINER
Kurzanleitung**

**NOZA V VÉLO STATIONNAIRE
Guide de Démarrage Rapide**

**NOZA V FIETSTRAINER
Beknopte Handleiding**

**RODILLO DE ENTRENAMIENTO PARA BICICLETA
NOZA V
Guía de Inicio Rápido**

**ROLO DE TREINO DE POTÊNCIA DE BICICLETA
NOZA V
Guia de Início Rápido**

TABLE OF CONTENTS

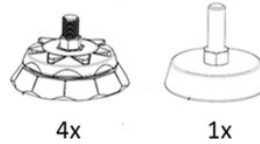
Knowing your NOZA V	1
Package contents	1
Introduction of product appearance	2
Assembly Instructions	3
Assembling the Xplova NOZA V	3
Attaching the cassette	4
Mounting your bicycle.....	6
Xplova NOZA V indicator descriptions	8
Cycling game QSG.....	8
Training program and uploading riding data.....	8
More of the amazing functions.....	9
Specifications.....	9
Safety precautions and regulations	10
Safety precautions before use	10
Notices.....	10
Disclaimer.....	10
Maintenance and care.....	11
Federal Communications Commission (FCC) Statement	11
CE Compliance Statement	11
Innovation, Science and Economic Development Canada (ISED) Notices.....	12
Radio Frequency (RF) Exposure Information.....	12
Xplova Limited Product Warranty Policy	12

KNOWING YOUR NOZA V

■ Package contents



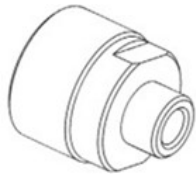
Xplova NOZA V bike trainer main unit



4x Stabilizer
1x



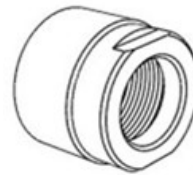
Quick release kit



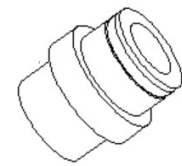
Adapter A –
for quick release
cassette nut



Adapter B –
for quick release
130mm/135mm



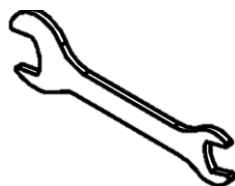
Adapter C –
for thru axle
cassette nut



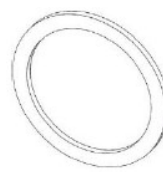
Adapter D –
for thru axle
12x142/
12x148mm



Adapter E –
for thru axle
12x148mm
Spacer ring



Open wrench
13 / 17



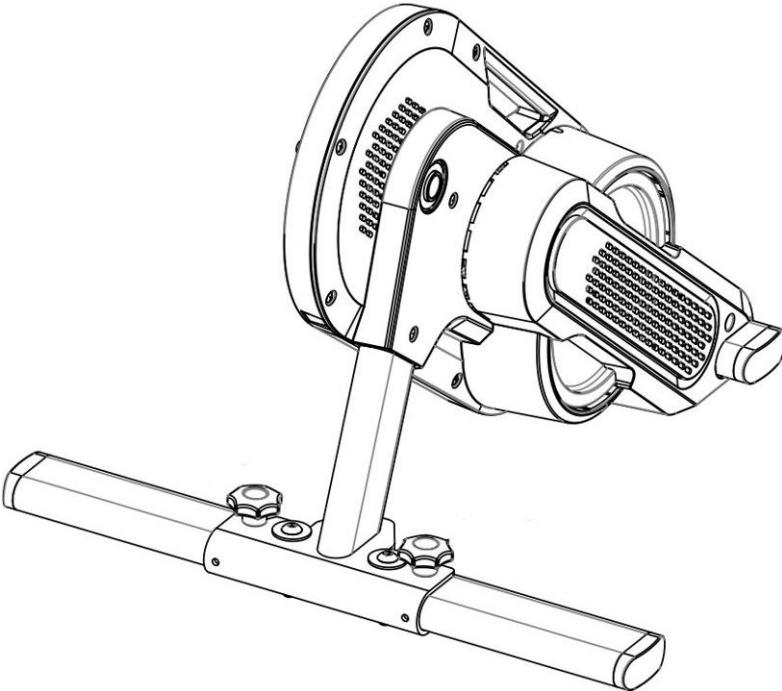
1.8mm cassette
washer



Power adapter

Note: Accessories may vary by country or region.

■ Introduction of product appearance

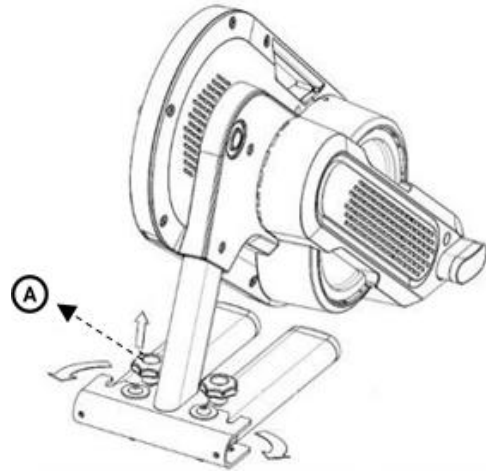


ASSEMBLY INSTRUCTIONS

■ Assembling the Xplova NOZA V

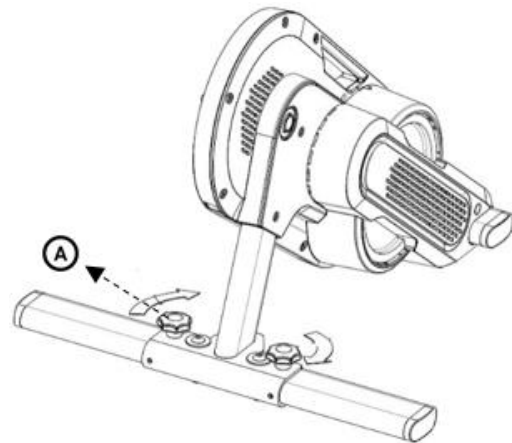
• Unfold support

Place the NOZA V on stable ground and pull the knobs (A) up slightly in the direction of the arrow. Extend both the left and right bottom tube in the direction of the arrow.



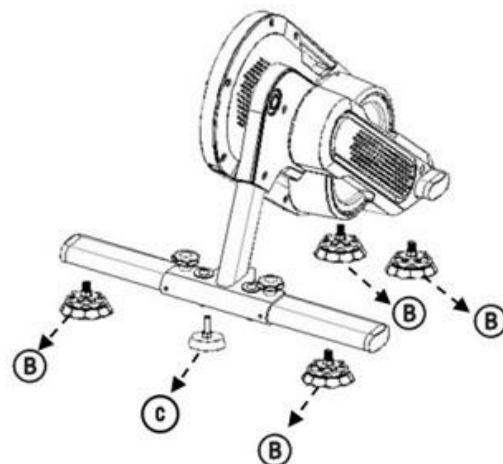
• Tighten knobs

Tighten the knobs (A) slightly in the direction of the arrow to lock the left and right bottom tube.



• Install stabilizers

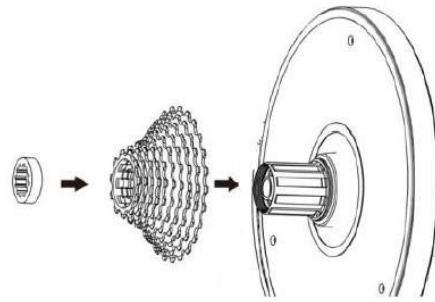
Screw-in four supporting stabilizers (B) and one adjustment stabilizer (C) upward in position. Adjust the height of the stabilizers according to the ground conditions, so that the four supporting stabilizers (B) stand on the ground firmly.



■ Attaching the cassette

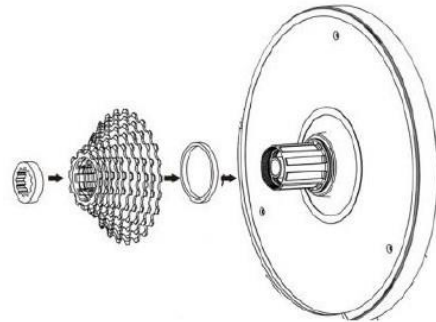
- **Attaching a compatible 11-speed cassette**

Attach the cassette onto the cassette body manually and use the cassette nut to secure it on the cassette body. Use the cassette removal socket to secure it tightly on the NOZA V cassette body (the tool is not included).



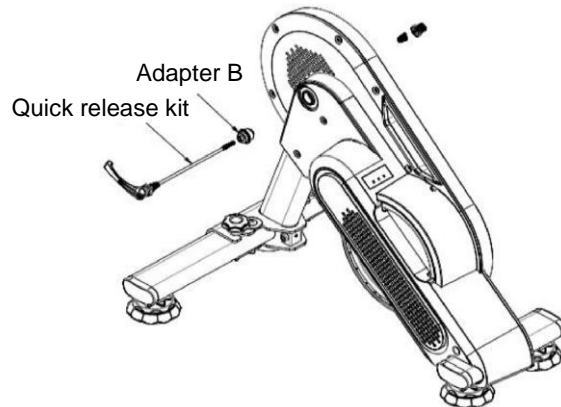
- **Attaching a 9-speed or 10-speed cassette**

Before attaching a 9-speed or 10-speed cassette, you need to put the 1.8mm cassette washer onto the cassette body first and then secure the cassette tightly on the NOZA V cassette body as mentioned above.



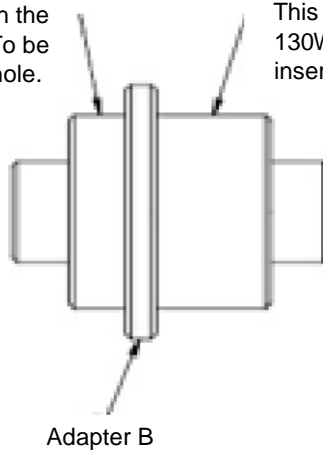
- **130mm or 135mm quick release installation**

When installing on a quick release bicycle frame, you need to use adapter A, adapter B and the quick release kit (these three accessories are included in the package). Please refer to the illustration on the right for the installation.



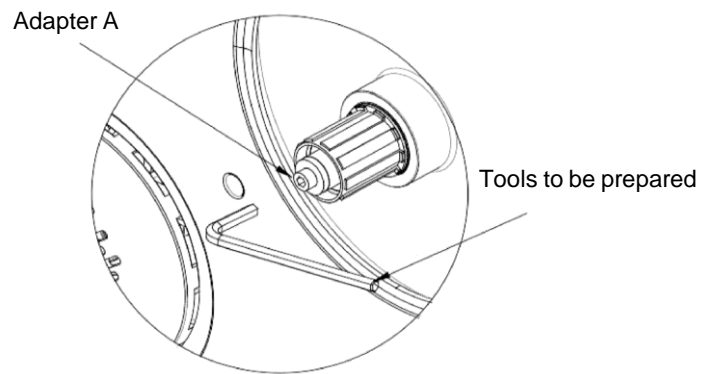
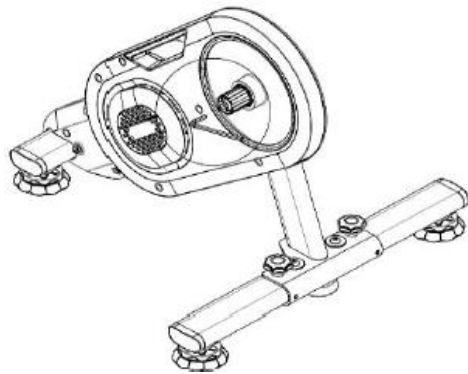
This end is for use with the 135W bicycle frame. To be inserted into the axle hole.

This end is for use with the 130W bicycle frame. To be inserted into the axle hole.

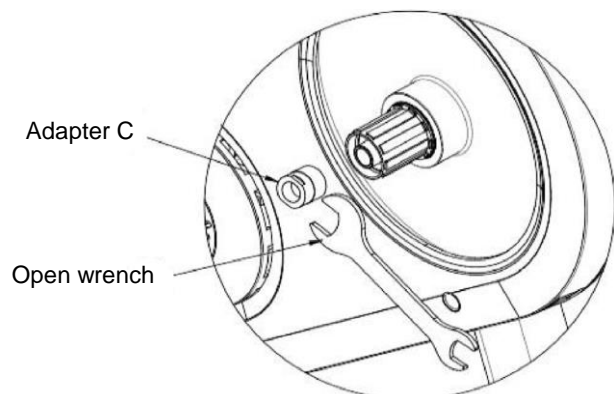
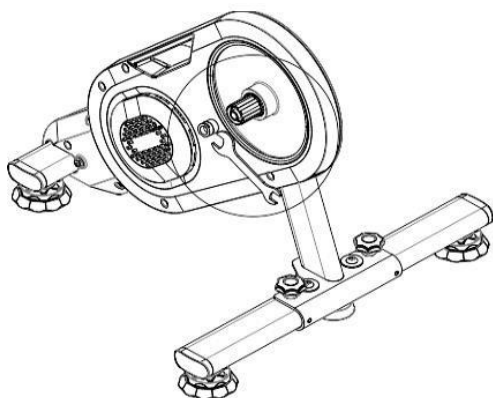


• **142mm or 148mm thru axle installation**

When installing on a thru axle bicycle frame, you need to use adapters C and D (the two accessories are included in the package). Please refer to the following illustrations for the installation.



Use a 5mm hex wrench to remove adapter A on the right counterclockwise.



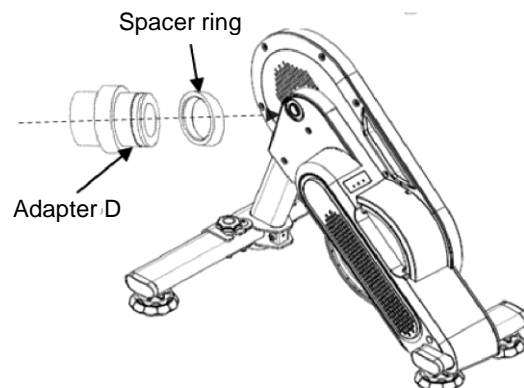
Use the open wrench from the toolkit to align the end of 142/148 adapter C and lock the end cap clockwise. This completes the right end cap replacement.

• **142/148 left end cap installation**

Install 142/148 adapter D (black rubber side) and spacer ring (adapter E) into the axle hole on the main body.

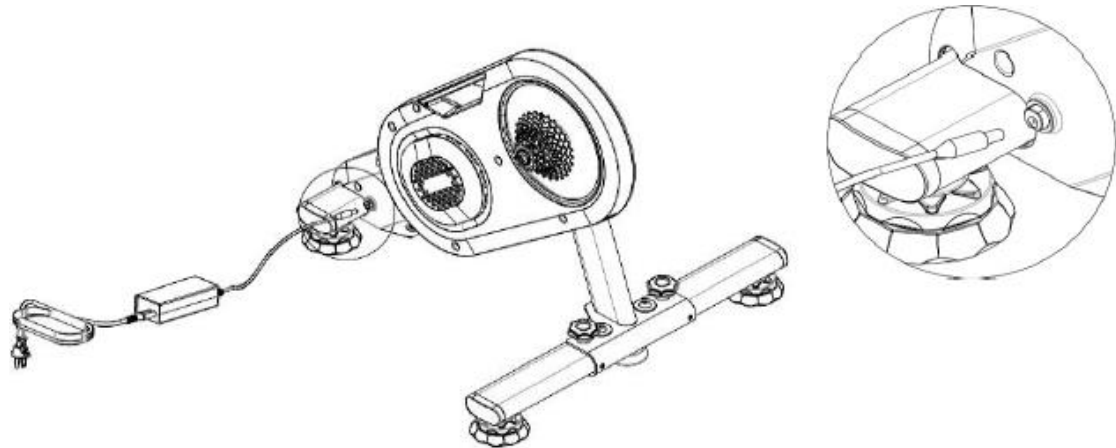
For 142W bicycle frame, install on the axle hole without the spacer ring.

For 148W bicycle frame, install on the axle hole with the spacer ring.



- **Power adapter installation**

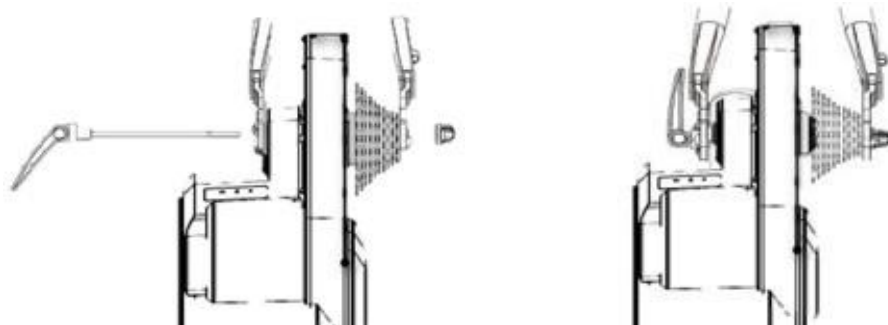
Plugging the power cord to the DC jack on the bottom of the right housing.



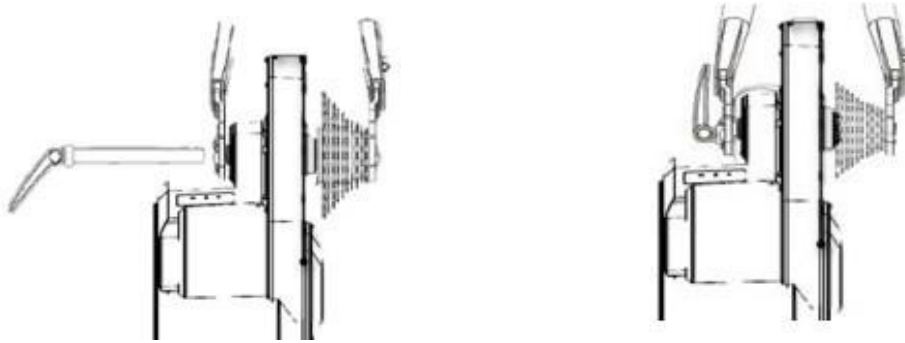
- **Mounting your bicycle**

Shift the chain on your bicycle to the smallest sprocket of the cassette and then remove the rear wheel. Align the bicycle chain with the smallest sprocket of the cassette and then put on the chain as well as mount the bicycle on NOZA V's axle to have the bicycle in a suitable position for riding.

Please use the bicycle quick release lever properly with care. When the arc of the rotating arm of the quick release lever is toward outside, it means the lever is in a released state. Rotate the rotating arm of the lever clockwise to tighten the quick release lever. The rotating arm of the quick release lever should be placed on the other side of the NOZA V's cassette.



Please refer to the following illustration for the installation of the thru axle bicycle. Insert the thru axle from the other side of the cassette and tighten the axle.

**Attention:**

1. Please firmly tighten the quick release lever and the thru axle to prevent damage to property or human body. If you cannot tighten the quick release lever and the thru axle, please contact your dealer or Xplova customer service. Please **DO NOT** attempt to use the NOZA V in this situation.
2. When mounting the bicycle, please lift its front wheel and press the frame down to make the bicycle firmly mounted on the NOZA V.

■ Xplova NOZA V indicator descriptions

Indicator	Color	Description
Power	Amber	Constant: starting up
BLE	Blue	Flashing: connecting Constant: connection successful
ANT+	Green	Flashing: connecting Constant: connection successful

■ Cycling game QSG

1. Please download some cycling game training software on PC/MAC or smartphone. Here are a few key games:
 - ZWIFT: www.zwift.com
 - Rouvy: rouvy.com
 - Onelap: www.onelap.cn



2. After game installation and connection setup with NOZA V, only power and speed data will be displayed.
3. Once you mount the bike, you are ready to start the game training experience.



■ Training program and uploading riding data

Use the Xplova Workout Plus App to control the NOZA V and use multiple training programs.

If you want to conduct more detailed analysis, you can use the Xplova Workout Plus App to upload to the website for analysis.

■ More of the amazing functions

If you want to experience the full functions of the NOZA V, we recommend that you install the Xplova Workout Plus App on your smart phone. The Xplova Workout Plus App can let you:

- View/store training records
- Upload the records to different platforms (such as Xplova, Strava, TrainingPeak and so on)

Please go to Google Play or App Store to search for “Xplova Workout Plus” to download and install the app. If you want to get a better understanding of the product, please go to our official website at www.xplova.com and download the User Manual.

■ Specifications

Dimensions	615 x 598 x 505 mm
Accuracy	±2%
Max Power Output	2200 W
Flywheel Weight	3.4 KG
Max Simulated Incline	20%
Sound Level	58 dB
Drivetrain	Requires purchase/installation of new cassette: Compatible with Shimano/SRAM 8/9/10/11 speed cassette
Connectivity	BLE FTMS & ANT+ FE-C
Electrical Requirements	100 - 240 V, 2.5 A, 50 Hz - 60 Hz
Box Dimensions	700 x 280 x 580 mm

SAFETY PRECAUTIONS AND REGULATIONS

■ Safety precautions before use

1. When the bike trainer is active, please do not touch it and you should keep non users, animals or objects away from it to avoid danger.
2. Consult your coach before you start any training plans.
3. Please DO NOT put your hands or any object near the spinning parts of the Xplova NOZA V.
4. The flywheel/cassette of the Xplova NOZA V might get hot after you use it for a while. Please DO NOT touch the flywheel/cassette within a short time.
5. Please DO NOT attempt to disassemble the bicycle when the cassette is running.
6. When you are using the Xplova NOZA V, keep your children and pets away from it to prevent injury.
7. The Xplova NOZA V can only be installed and used on a firm, level ground.
8. When training is in progress, please ride safely.
9. Keep away from water.
10. Before training, you should check if the bicycle is firmly secured to the Xplova NOZA V.
11. The Xplova NOZA V can only be used after it is completely assembled.
12. When using the Xplova NOZA V, you can only use accessories certified by Xplova.

■ Notices

1. Xplova shall not be held responsible for users using software, applications and devices from other companies that result in malfunctioning of the Xplova NOZA V.
2. As ANT+™ and Bluetooth are mutually exclusive, it is impossible for the Xplova NOZA V to send data simultaneously through ANT+™ or Bluetooth, i.e., when one of the protocols is in use, the Xplova NOZA V will automatically stop the other protocol to avoid the possibility of causing NOZA V programs to misbehave.
3. Radio devices may cause interference and may change or completely prevent the Xplova NOZA V from functioning normally. Therefore, when training using the NOZA V, it is advised to stay away from high voltage power lines, traffic signals, railway power lines, buses or trams.
4. When the Xplova NOZA V is not in use, make sure not to expose it to direct sunlight for long periods of time.

■ Disclaimer

Attention! Xplova shall not be held responsible for temporary or permanent injury to the user out of using the Xplova NOZA V (either directly or indirectly).

■ Maintenance and care

1. When cleaning the bike trainer, please use neutral lubrication oil. DO NOT use corrosive detergents.
2. DO NOT burnish the surface of the bike trainer or drill holes. Scratches or drilled holes will lead to occurrence of cracks.
3. Please place the bike trainer indoors and keep it dry to avoid damage from humidity.

■ Federal Communications Commission (FCC) Statement

This device complies with part 15 of the FCC Rules. Operation is subject to the following two conditions: (1) This device may not cause harmful interference, and (2) this device must accept any interference received, including interference that may cause undesired operation.

Changes or modifications not expressly approved by the party responsible for compliance could void the user's authority to operate the equipment.

This equipment has been tested and found to comply with the limits for a Class B digital device, pursuant to part 15 of the FCC Rules. These limits are designed to provide reasonable protection against harmful interference in a residential installation. This equipment generates, uses and can radiate radio frequency energy and, if not installed and used in accordance with the instructions, may cause harmful interference to radio communications. However, there is no guarantee that interference will not occur in a particular installation. If this equipment does cause harmful interference to radio or television reception, which can be determined by turning the equipment off and on, the user is encouraged to try to correct the interference by one or more of the following measures:

- Reorient or relocate the receiving antenna.
- Increase the separation between the equipment and receiver.
- Connect the equipment into an outlet on a circuit different from that to which the receiver is connected.
- Consult the dealer or an experienced radio/TV technician for help.

This device complies with radio frequency (RF) exposure limits adopted by the Federal Communications Commission for an uncontrolled environment. This equipment should be installed and operated to ensure a minimum of 20 cm spacing to any person at all times.

■ CE Compliance Statement

2402 MHz ~ 2480 MHz, power: -0.81 dBm

This device meets the EU requirements and the International Commission on Non-Ionizing Radiation Protection (ICNIRP) on the limitation of exposure of the general public to electromagnetic fields by way of health protection. This equipment should be installed and operated to ensure a minimum of 20 cm spacing to any person at all times.

The adapter shall be installed near the equipment and shall be easily accessible.



Waste Electrical and Electronic Equipment (WEEE)

This symbol means that according to local laws and regulations your product and/or its battery shall be disposed of separately from household waste. When this product reaches its end of life, take it to a collection point designated by local authorities. Proper recycling of your product will protect human health and the environment.

Hereby, Acer Gadget Inc. declares that the radio equipment type bike power trainer is in compliance with Directive 2014/53/EU.

The full text of the EU declaration of conformity is available at the www.xplova.com

■ **Innovation, Science and Economic Development Canada (ISED) Notices**

This device contains licence-exempt transmitter(s)/receiver(s) that comply with Innovation, Science and Economic Development Canada's licence-exempt RSS(s). Operation is subject to the following two conditions:

1. This device may not cause interference.
2. This device must accept any interference, including interference that may cause undesired operation of the device.

CAN ICES-003(B) / NMB-003(B)

■ **Radio Frequency (RF) Exposure Information**

The radiated output power of the Wireless Device is below the Innovation, Science and Economic Development Canada (ISED) radio frequency exposure limits. The Wireless Device should be used in such a manner such that the potential for human contact during normal operation is minimized.

This device has also been evaluated and shown compliant with the IC RF Exposure limits under mobile exposure conditions. (Antennas are greater than 20cm from a person's body).

■ **Xplova Limited Product Warranty Policy**

This Limited Product Warranty shall apply to Xplova products including all accessories as contained within the original Xplova gift box. Xplova warrants that products from its authorized distributors and retailers will meet the applicable product specifications and be free from all defects in material and workmanship during the Limited Product Warranty Period, **one year** starting from the date of original purchase, if the products are used and serviced in accordance with the user manual and other documentation provided to the purchaser at the time of purchase. This Limited Product Warranty is subjected to the following terms and conditions:

1. To obtain warranty service, a proof of purchase, an original or copy of the sales receipt from the original retailer, is required.

2. This Limited Product Warranty is only valid and enforceable in the country/region where the product is sold.
3. This Limited Product Warranty is at sole option of Xplova to either repair or replace the defective product during the Limited Product Warranty Period. Xplova will not replace missing components from any package purchased through online auctions.
4. To obtain warranty service, contact your local Xplova authorized retailer or Xplova for shipping instructions and an RMA number.
5. This Limited Product Warranty covers expenses for inspecting and repairing the product during the Limited Product Warranty Period. The defective product shall be delivered by the purchaser at his/her own expense to the designated premises together with the proof of purchase and RMA number.
6. Xplova will return the repaired or replaced product to the drop-zone for collection by the customer in good working condition. All replaced faulty products or components will become the property of Xplova.
7. If Xplova repairs or replaces the product, the repaired or replaced product shall continue to be warranted for the remaining time of the original warranty period or for three (3) months from the date of repair or replacement, whichever is longer.
8. Xplova reserves the right to add, delete or amend the terms and conditions at any time without prior notice on its website indicated below.
- 9. THIS LIMITED WARRANTY SHALL NOT APPLY IF THE DAMAGE WAS CAUSED BY ANY OF THE FOLLOWING:**
 - A. The product serial number has been removed, erased, defaced, altered or is illegible.
 - B. The damage is resulting from the use of the product in a manner other than its normal and customary manner.
 - C. Deterioration of the product due to normal wear and tear.
 - D. The damage is arising from improper installation, unauthorized repair, alteration or modification to this product by third parties other than Xplova or its designee.
 - E. The damage is arising from operating with components or accessories not officially authorized or provided by Xplova or used in other than its intended use.
 - F. The damage is arising from exposure to abnormally corrosive conditions or operation with extreme heat or humidity.
- 10 XPLOVA WILL NOT BE LIABLE FOR INCIDENTAL OR CONSEQUENTIAL LOSSES OR DAMAGES TO ANY NATURE, INCLUDING BUT NOT LIMITED TO LOST PROFITS OR COMMERCIAL LOSS, TO THE FULLEST EXTENT THAT THOSE LOSSES OR DAMAGES CAN BE DISCLAIMED BY LAW.**
11. This Limited Product Warranty does not affect the customer's statutory rights in law specific to the country of purchase, such rights remain protected. Some countries do not allow the exclusion or limitation of incidental or consequential loss or damage, or limitation of the implied warranties, in those circumstances the preceding limitation of exclusions may not apply to such customers.

Warranty Coverage:

1. Under normal conditions of use, the product main unit and components gets a one year free after-sales maintenance services.
2. Please present the original purchase approval or receipt with this Product Warranty on upon of requesting a service. Service fee might be charged in accordance with this Product Warranty.

Please note the Limited Product Warranty Period and service availability and response times may vary from country to country and may also be subject to registration requirement in the country of purchase. If you require assistance regarding warranty conditions, or any other enquiries, please contact the original retailer or Xplova.

Website: <https://www.xplova.com>

目錄

認識您的 NOZA V	1
包裝內容物	1
NOZA V 產品外觀	1
組裝說明	3
組裝 Xplova NOZA V	3
安裝飛輪齒盤	4
安裝您的自行車	6
Xplova NOZA V 指示燈說明	8
單車遊戲入門指南	8
訓練計畫以及上傳騎乘數據	8
更多令人驚艷功能	9
規格表	9
安全警告及規範	10
使用前安全警告	10
注意事項	10
免責聲明	10
維護與保養	10
無線警語	11
Xplova 有限產品保固政策	11

認識您的 NOZA V

■ 包裝內容物



Xplova NOZA V 訓練台主體



4x

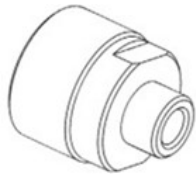


1x

固定腳墊



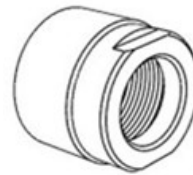
快拆桿



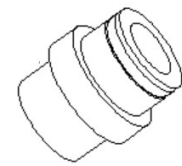
轉接頭 A -
快拆齒盤螺母



轉接頭 B - 快拆
130mm/135mm



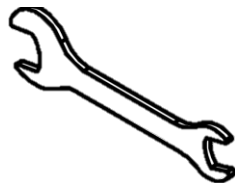
轉接頭 C -
貫通軸螺母



轉接頭 D -
貫通軸 12x142/
12x148mm



轉接頭 E - 貫通軸
12x 148mm 隔環



開口板手
13 / 17



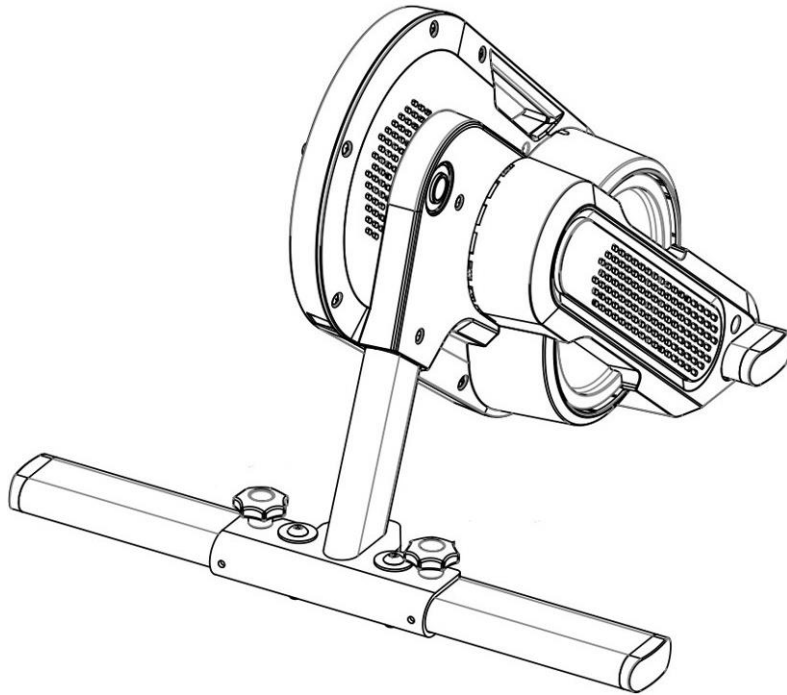
1.8mm 棘輪座墊片



電源供應器

註：配件可能會因國家或區域而異。

■ NOZA V 產品外觀

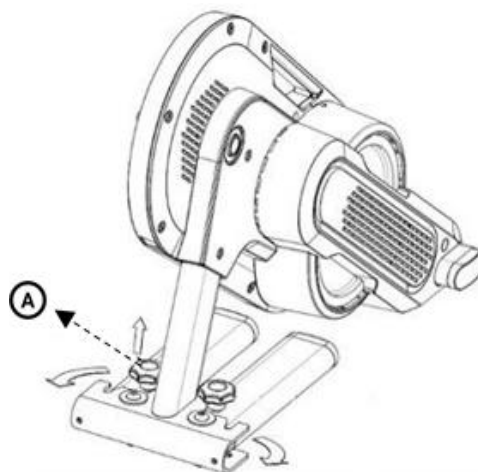


組裝說明

■ 組裝 Xplova NOZA V

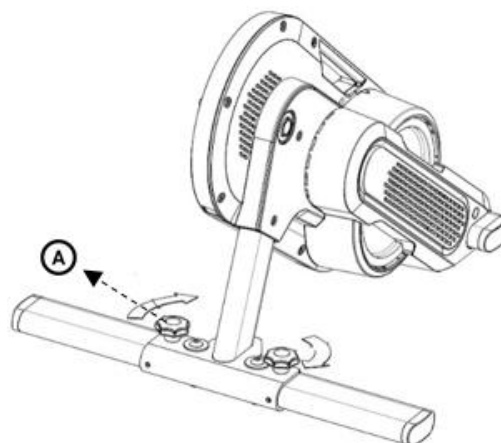
• 車架展開

將 Noza V 置於平穩地面，將旋鈕 (A) 依箭頭方向微幅往上拉起。將左前腳管及右前腳管依箭頭方向將腳管展開。



• 鎖緊旋鈕

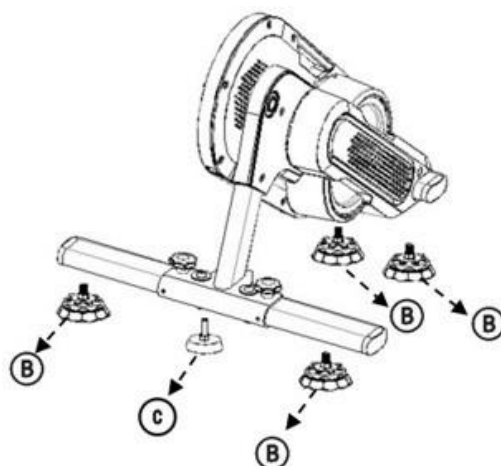
將旋鈕 (A) 依箭頭方向微幅往上旋緊，固定左右腳管。



• 腳墊組裝

將四組固定腳墊 (B) 及一組調整腳墊 (C)，往上旋入到定位。

並依照地面情況調整旋鈕高低，使車架四組固定腳墊 (B) 平穩貼地。

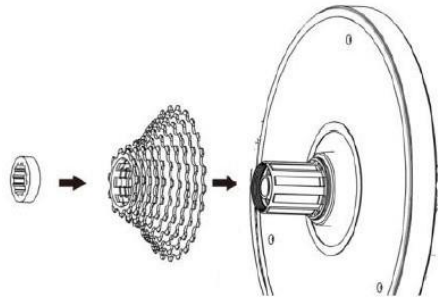


■ 安裝飛輪齒盤

• 安裝相容 11 速的飛輪

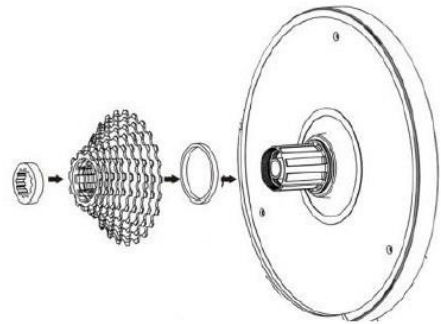
手動將飛輪裝上棘輪座，並以飛輪外蓋將飛輪固定在棘輪座上。

然後使用飛輪拆卸套筒將飛輪鎖緊在 NOZA V 的棘輪座上（工具不包括在內）。



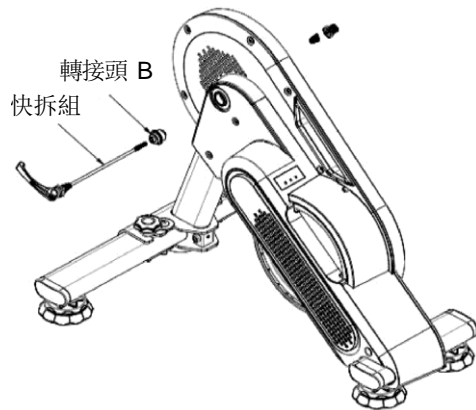
• 安裝 9 速或 10 速的飛輪

安裝 9 或 10 速的飛輪前，需先將 1.8mm 的棘輪座墊片套入棘輪座中，然後依上述方式將飛輪鎖緊在 NOZA V 的棘輪座上。



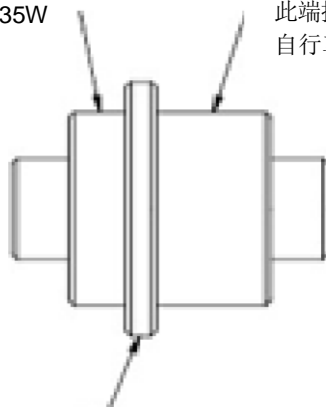
• 130MM 或 135MM 快拆式安裝

安裝在快拆式自行車車架時，您需要使用轉接頭 A、轉接頭 B 和快拆組（這三個配件已經包含在您的配件裏）。安裝方式請參照右圖所示。



此端插入軸孔內時為 135W
自行車架使用

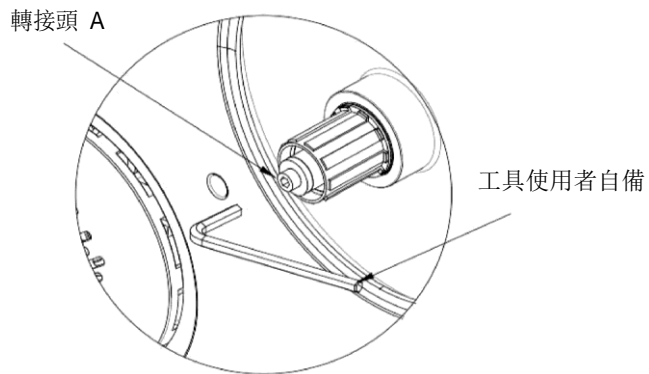
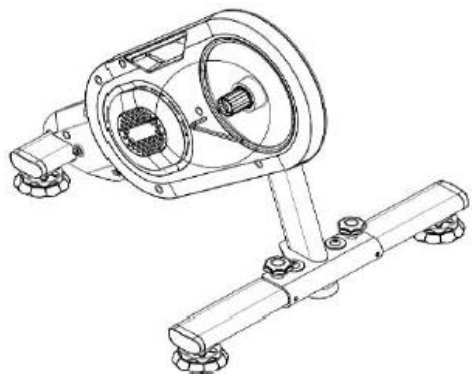
此端插入軸孔內時為 130W
自行車架使用



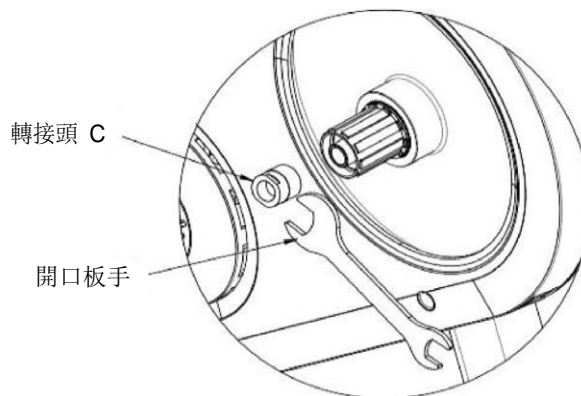
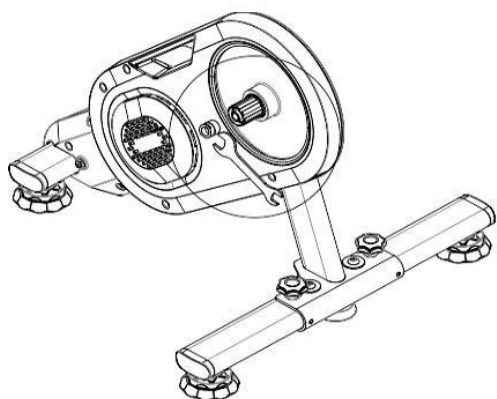
轉接頭 B

• **142MM 或 148MM 桶軸式安裝**

安裝在桶軸式自行車車架時，您需要使用轉接頭 C 和轉接頭 D（這兩個配件已經包含在您的配件裏）。安裝方式請參照下圖所示。



使用 5mm 六角板手逆時針方向將右側轉接頭 A 拆下。



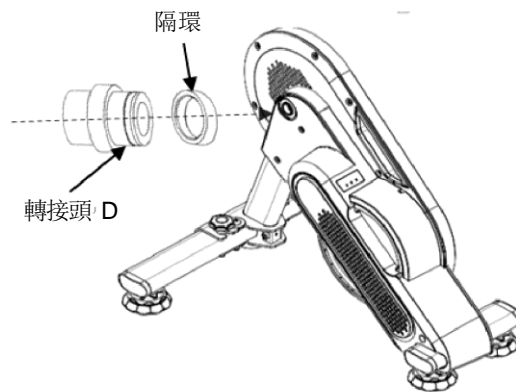
使用工具包內的開口板手對準 142/148 轉接頭 C 尾端順時針方向將端蓋鎖緊，完成右側端蓋更換。

• **142/148 左側端蓋組裝**

將 142/148 轉接頭 D（黑色橡膠環面）與隔環（轉接頭 E）裝入車架軸心孔。

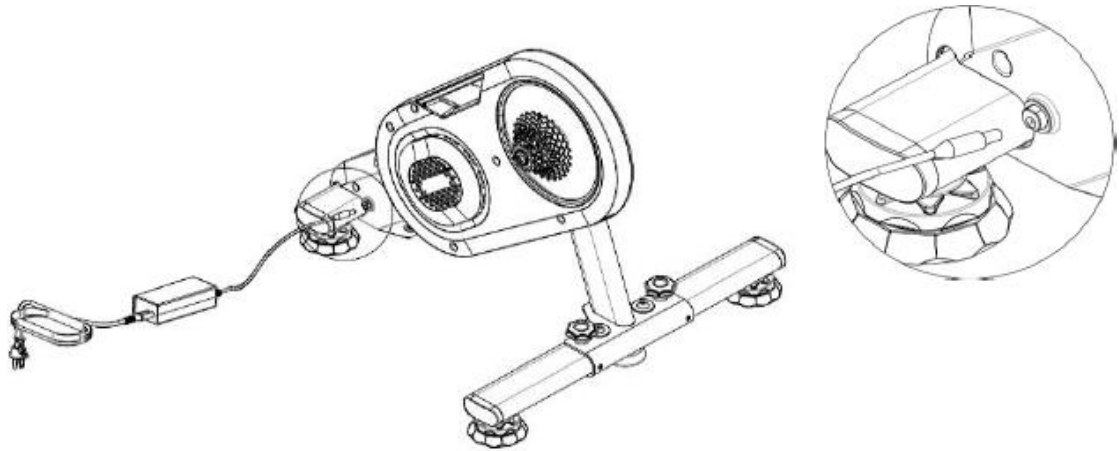
隔環取下時，插入軸孔內時為 142W 自行車架使用

隔環裝入軸孔內時為 148W 自行車架使用



• 整流器組裝

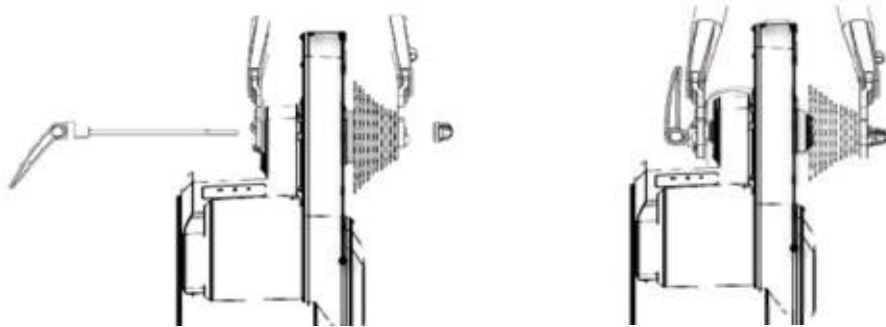
將整流器含電源線對準右外殼底部的 DC 孔後插入。



■ 安裝您的自行車

將自行車鏈條轉換到最小的飛輪齒盤上，然後拆卸後輪。接著將自行車鏈條與 NOZA V 最小的飛輪齒盤對齊後掛上鍊條，並將自行車安裝到 NOZA V 的軸上，使自行車進入到可騎乘的位置。

請正確地使用自行車快拆桿，使用時注意安全。當快拆桿的旋轉臂圓弧向外時，表示快拆桿是鬆開的狀態，以順時鐘方向旋轉快拆桿旋轉臂可以鎖緊快拆桿。快拆桿的旋轉臂應該放置在 NOZA V 飛輪（棘輪座）的另外一側。



關於桶軸自行車的安裝方式，請參照下圖。將桶軸由飛輪（棘輪座）的另外一側穿入，並將軸鎖緊。



注意：

1. 請確實地鎖緊快拆桿與桶軸，以避免造成財產或人身傷害。若無法確實地鎖緊快拆桿與桶軸，請與您購買的經銷商，或與 Xplova 客服人員聯繫，切勿強行使用 NOZA V。
2. 安裝時將前輪抬起來，同時按壓車架，使自行車確實安裝在 NOZA V。

■ Xplova NOZA V 指示燈說明

燈號	顏色	說明
Power	橘色	開機啟動狀態：恆亮
BLE	藍色	連線搜尋中：閃爍 連線建立成功：恆亮
ANT+	綠色	連線搜尋中：閃爍 連線建立成功：恆亮

■ 單車遊戲入門指南

1. 請在 PC/MAC 或是智慧型手機 下載單車遊戲訓練軟體，以下推薦僅供參考：
 - ZWIFT: www.zwift.com
 - Rouvy: rouvy.com
 - Onelap: www.onelap.cn



2. 安裝遊戲及與 NOZA V 的連線設定後將只會顯示功率與速度資料。
3. 架上自行車後即可準備開始遊戲訓練體驗。



■ 訓練計畫以及上傳騎乘數據

使用 Xplova Workout Plus App 可以讓 NOZA V 使用多種訓練計畫。如果想對騎乘進行更詳細的分析，可使用 Xplova Workout Plus App 上傳騎乘數據至網站分析。

■ 更多令人驚艷功能

為了將 NOZA V 功能發揮至極致，我們建議您在智慧型手機上安裝 Xplova Workout Plus App。Xplova Workout Plus App 可以讓您：

- 檢視 / 儲存訓練紀錄
- 將紀錄上傳至不同的平台（如 Xplova、Strava、TrainingPeak 等）

請到 Google Play 或 App Store，搜尋「Xplova Workout Plus」，下載並安裝應用程式。為了讓您能夠更瞭解本產品，請至 www.xplova.com 官網下載使用手冊。

■ 規格表

訓練台尺寸	615 x 598 x 505 mm
功率誤差	±2%
最大功率輸出	2200 W
飛輪重量	3.4 KG
最高模擬坡度	20%
噪音級別	58 dB
傳動系統	需購買 / 安裝飛輪盤 相容 Shimano/SRAM 8/9/10/11 速的飛輪盤
傳輸訊號	BLE FTMS & ANT+ FE-C
電源規格	100 - 240 V、2.5 A、50 Hz - 60 Hz
包裝尺寸	700 x 280 x 580 mm

安全警告及規範

■ 使用前安全警告

1. 訓練台運作時，請勿碰觸訓練台，並應避免讓不相關的人員、動物或物品靠近，以免造成危險。
2. 請在開始任何訓練計畫之前諮詢您的教練。
3. 請勿將您的手或任何物體放在 Xplova NOZA V 的旋轉零件附近。
4. 當您使用一段時間後，Xplova NOZA V 的飛輪及飛輪罩可能會變熱。請勿在短時間內碰觸飛輪外殼。
5. 在飛輪轉動時，切勿試圖拆卸自行車。
6. 當您使用 Xplova NOZA V 時，請讓您的小孩和寵物遠離，避免造成傷害。
7. Xplova NOZA V 只能夠安裝及使用在平穩的地面。
8. 進行訓練時，請小心騎乘安全。
9. 請遠離水源。
10. 訓練前，應檢查自行車是否牢固的固定在 Xplova NOZA V 上。
11. Xplova NOZA V 只能在組裝完整後才能使用。
12. 使用 Xplova NOZA V 時，僅能使用經過本公司認定的配件。

■ 注意事項

1. 對於使用其他廠商軟體、應用程式、設備導致 Xplova NOZA V 故障，Xplova 公司概不負責。
2. 由於 ANT+™ 與藍牙通信協議相互排斥，因此 Xplova NOZA V 不可能同時透過 ANT+™ 或藍牙協議發送資料，即其中一個協議連接時，Xplova NOZA V 會自動停止使用另一協定，避免可能造成 NOZA V 程式的錯誤。
3. 無線電配備可能產生干擾，會改變或完全阻止 Xplova NOZA V 的正常運作。故使用 NOZA V 訓練，應避免在高壓電線、交通信號燈、鐵路電線、公共汽車或電車等環境。
4. 不使用 Xplova NOZA V 時，切勿將其長期暴露於陽光直射的環境中。

■ 免責聲明

對於因不當使用 Xplova NOZA V 而導致（無論直接還是間接）用戶身體所遭受的暫時或永久性損傷，Xplova 公司概不負責。注意！

■ 維護與保養

1. 清潔訓練台時，切勿使用任何腐蝕性的清潔產品。
2. 不要在訓練台表面上打磨或鑽孔，刮痕或鑿孔會導致裂縫的產生。
3. 請將訓練台放置在室內，保持乾燥避免潮濕損壞。

■ 無線警語

根據 NCC 低功率電波輻射性電機管理辦法規定：

經型式認證合格之低功率射頻電機，非經許可，公司、商號或使用者均不得擅自變更頻率，加大功率或變更原設計之特性及功能。低功率射頻電機之使用不得影響飛航安全及干擾合法通信，經發現有干擾現象時，應立即停用，並改善至無干擾時方得繼續使用。前項合法通信，指依電信法規定作業之無線電通信。低功率射頻電機需忍受合法通信或工業、科學及醫療用電波輻射性電機設備之干擾。

■ Xplova 有限產品保固政策

Xplova 有限產品保固政策此「有限產品保固」適用於 Xplova 產品，包括原廠 Xplova 盒裝內所有配件。如果產品的使用與維修方式皆遵照購買人在購買時獲得之使用手冊及其他隨附文件的指示，Xplova 保證來自其授權經銷商與零售商的產品將符合產品規格，且在「有限產品保固期限」期間（即從原購買日期起的 **1 年**內），沒有材質和工藝的瑕疵。此「有限產品保固」受下列條款與條件規範：

1. 若要獲得保固服務，您必須提供購買憑證（零售商的收據正本或副本）。
2. 此「有限產品保固」僅在銷售本產品的國家 / 地區具有效力。
3. 在「有限產品保固期限」期間，此「有限產品保固」是讓 Xplova 進行維修或更換損壞產品的唯一憑證。若原產品包裝中遺失的元件是透過線上拍賣所購得，恕 Xplova 不予以更換。
4. 若要獲得保固服務，請聯絡您當地的 Xplova 授權零售商或 Xplova，瞭解運送說明和 RMA 編號。
5. 在「有限產品保固期限」期間，此「有限產品保固」包含產品的檢測與維修費用。損壞之產品應由購買人自行付費運送至指定場所，且須一併提供購買憑證與 RMA 編號。
6. Xplova 會將維修後或更換後之正常運作的產品送至可供客戶取貨的區域。更換後的故障產品或元件全數歸 Xplova 所有。
7. 由 Xplova 維修後或更換後的產品應繼續獲得保固，期限為原始保固期限的剩餘時間，或從維修或更換日期起的三（3）個月，以時間較長者為準。
8. Xplova 保留隨時新增、刪除或修改條款與條件的權利，恕不在其以下列出的網站上另行通知。
9. **如果損害是由下列任何原因所導致，則不適用此有限保固：**
 - A. 產品序號已遭移除、抹除、汙損、修改或無法辨識。
 - B. 以不正常方式使用本產品而導致的損壞。
 - C. 正常損耗的產品退化。
 - D. 由非 Xplova 指定之廠商對本產品進行不正確的安裝，或進行未經授權的改裝或維修所造成的損壞。
 - E. 搭配非 Xplova 官方授權或提供的元件或配件進行操作，或用於非主要用途外之範圍所造成的損壞。
 - F. 將本產品暴露於異常具腐蝕性的環境，或在極度高溫或濕度的狀態下操作所造成的損壞。
10. **在法律對損害賠償免責的最大範圍內，Xplova 不對任何附帶或衍生性損失或傷害所造成的任何損失承擔責任，包括但不限於利潤損失或商業損失。**

11. 此「有限產品保固」不影響客戶在產品購買國家所享有之法定權利，此類權利仍受到保護。某些國家不允許排除或限制偶然或間接的損失或損害，或暗示保證的限制，在此情況下，上述排除之限制可能不適用於此類客戶。

保固服務：保固期限因區域而有所不同

1. 產品本體與組件自購買日起一年內，於正常使用狀況下可獲得免費售後維修服務。
2. 保固維修時，須出示原購買發票或是單據，維修中心將依憑證提供保固內服務，或是有償維修。

請注意，「有限產品保固期限」以及服務提供和回應時間可能會根據國家而有所不同，而且可能也會受限於產品購買國家之註冊規定。如果您需要有關保固條件的協助，或有任何其他查詢，請聯絡原零售商或 Xplova。

網站： <https://www.xplova.com>

目次

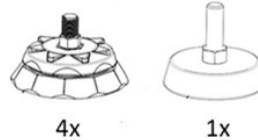
NOZA V の詳細内容	1
パッケージ内容	1
製品外観の紹介	2
組み立て説明	3
Xplova NOZA V の組み立て	3
カセットの取り付け	4
バイクのマウント	6
Xplova NOZA V インジケータの説明	8
サイクリングゲーム QSG	8
トレーニングプログラムとライディングデータのアップロード	8
優れた各種機能の詳細	9
仕様	9
安全上の注意事項と規制	10
使用前の安全上の注意事項	10
注記	10
免責事項	10
メンテナンスとお手入れ	11
VCCI	11
Xplova の制限付き保証ポリシー	11

NOZA V の 詳細内容

・ パッケージ内容



Xplova NOZA V バイクトレーナーメインユニット



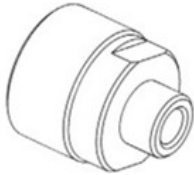
4x

1x

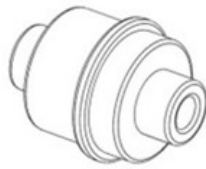
スタビライザー



クイックリリース
キット



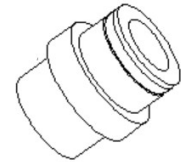
アダプターA –
クイックリリース
カセットナット用



アダプターB –
クイックリリース
130mm/135mm



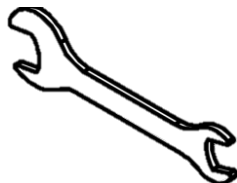
アダプターC –
スルーアクスル
カセットナット用



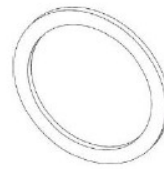
アダプターD –
スルーアクスル
12x142/
12x148mm



アダプターE –
スルーアクスル
12x148mm
スペーサーリング



オープンレンチ
13 / 17



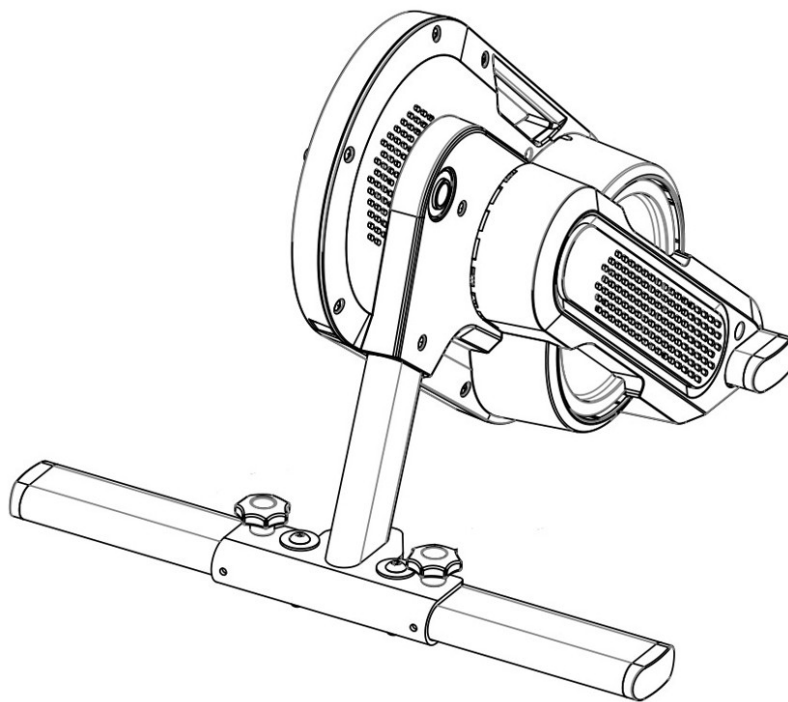
1.8mm カセット
ワッシャー



電源アダプター

注：アクセサリは、国や地域によって異なることがあります。

- 製品外観の紹介

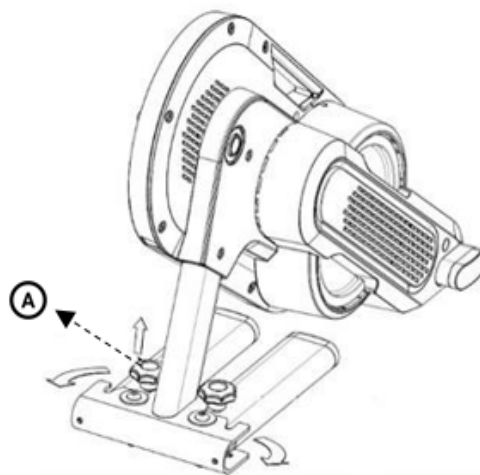


組み立て説明

▪ Xplova NOZA V の組み立て

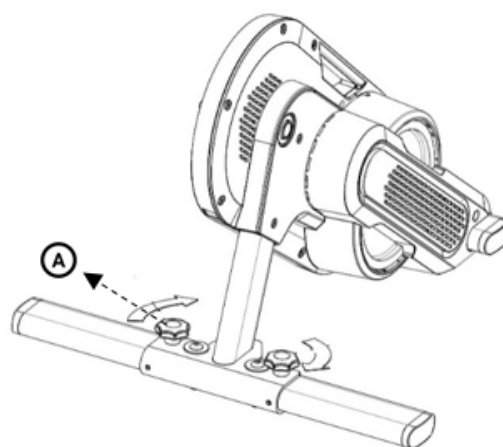
• アンフォールドサポート

平らな地面に NOZA V を設置して、つまみ ① を上に少し引き上げ、2 本のボトムチューブを左右に開きます。



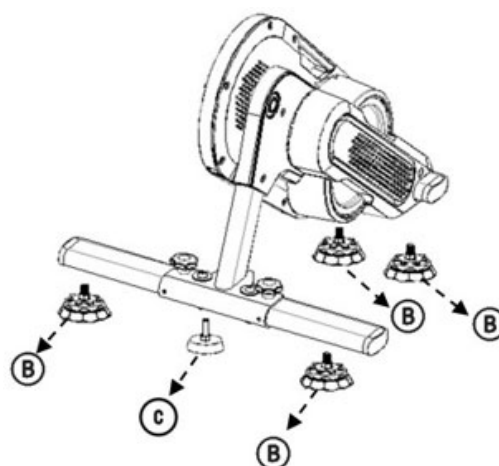
• ノブの締め付け

つまみ ① を時計回しに締めて、左右のボトムチューブをロックします。



• スタビライザーの取り付け

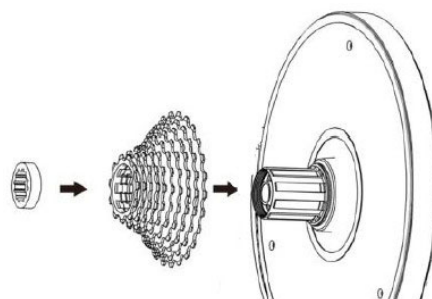
4 つのサポートスタビライザー ② と 1 つの調整スタビライザー ③ を所定の位置で上向きにねじ込みます。地面の状況に応じてスタビライザー ② の高さを調整し、4 本のサポートスタビライザーがしっかりと地面に付くように設置してください。



カセットの取り付け

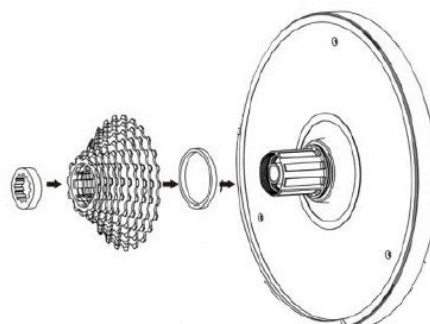
- 対応 11 速スピードカセットの取り付け

フリーボディにカセットを手動で取り付け、専用工具を使用して、カセットナットを回し、カセットを固定します。
(この工具はパッケージに含まれていません)



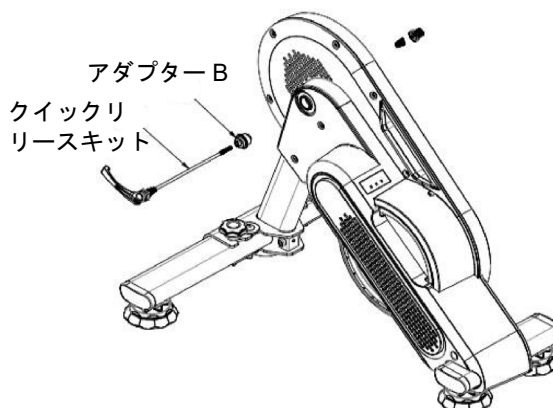
- 9 速または 10 速スピードカセットの取り付け

9 速または 10 速スピードカセットを取り付ける前に、1.8mm カセットワッシャーを最初にフリーボディに取り付け、上記で説明しているように NOZAV 本体にカセットをしっかりと固定します。



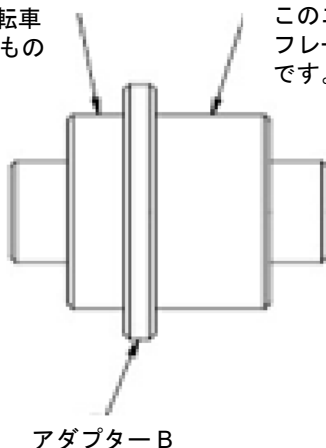
- 130mm または 135mm クイックリリースの取り付け

クイックリリースをバイクフレームに取り付ける際は、アダプター A、アダプター B、およびクイックリリースキットを使用する必要があります (これら 3 つのアクセサリはパッケージに付属されています)。取り付けについては、右の図を参照してください。



このエンドは、135W の自転車フレームに使用するためのものです。軸穴に挿入します。

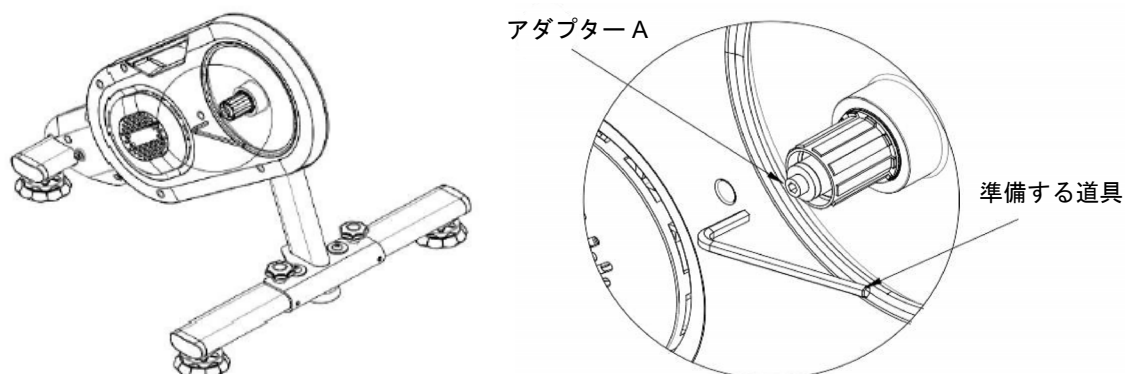
このエンドは、130W の自転車フレームに使用するためのものです。軸穴に挿入します。



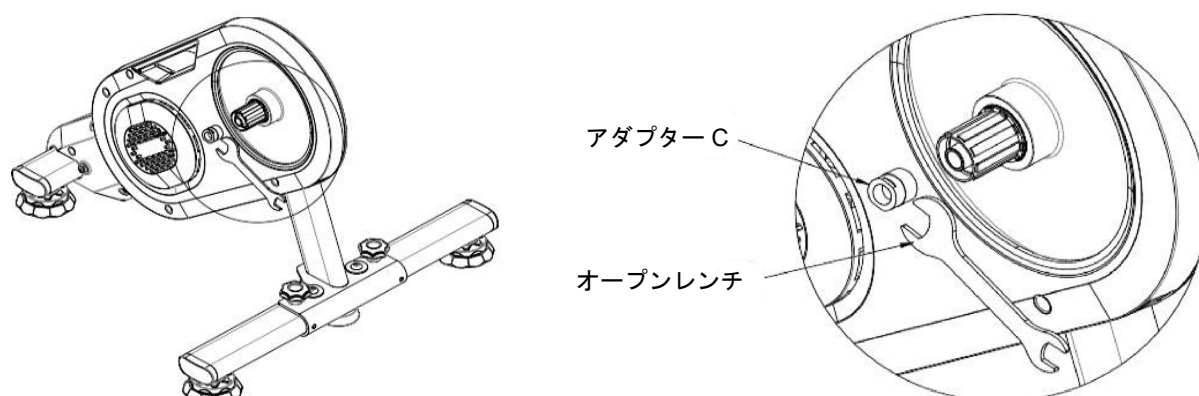
アダプター B

• 142mm または 148mm スルーアクスルの取り付け

スルーアクスルをバイクフレームに取り付ける際には、アダプター C と D (2つのアクセサリがパッケージに付属されています) を使用します。取り付けについては、以下の図を参照してください。



5mm六角レンチを使用して、右側のアダプター A を反時計回しで取り外します。



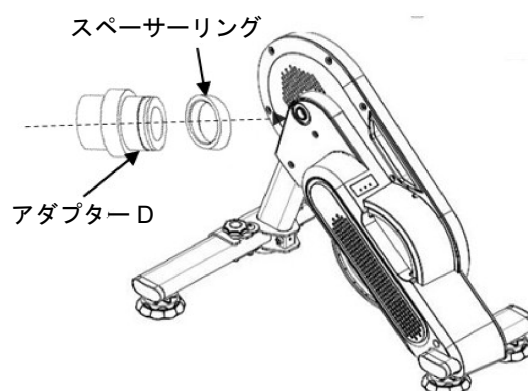
ツールキットのオープンレンチを使用して、142/148 アダプター C の端を合わせ、エンドキャップを時計回りにロックします。これで右エンドキャップの交換は完了です。

• 142/148 左エンドキャップの取り付け

142/148 アダプター D (黒ゴム側) とスペーサーリング (アダプター E) を本体の軸穴に装着します。

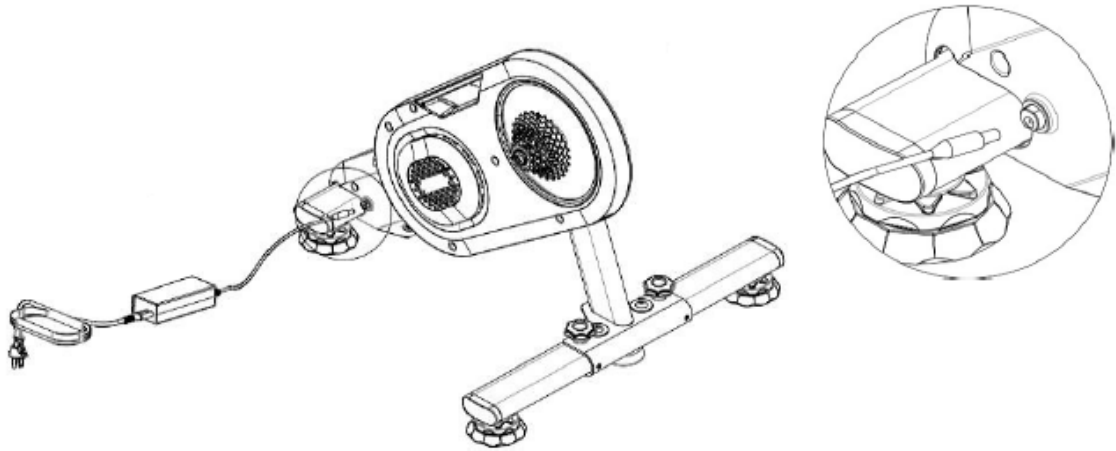
142W の自転車フレームには、スペーサーリングなしで車軸穴に装着してください。

148W の自転車フレームには、スペーサーリングを車軸穴に装着してください。



- 電源アダプターの取り付け

右ハウジングの底面にある DC ジャックに電源コードを差し込みます。

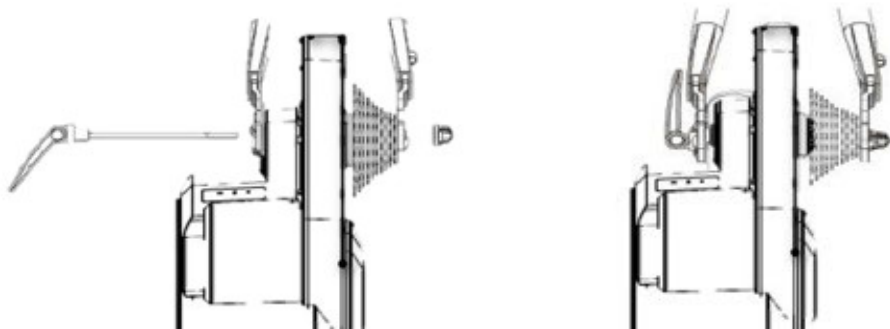


- バイクのマウント

バイクを外す際はチェーンをカセットの最も小さいギアに移し、後輪を取り外します。

バイクを設置する際はカセットの最も小さいギアへチェーンをかけ、NOZA V の車軸にバイクを取り付け、ライディングに適した位置にバイクを配置します。

クイックリリースレバーは注意して適切に使用してください。クイックリリースレバーの回転アームが開いているときは、レバーがリリースされた状態です。レバーの回転アームを時計回りに回転させ、クイックリリースレバーを締め付けます。クイックリリースレバーは、カセットの反対側から挿入して使用して下さい。



スルーアクスルの取り付けについては、以下の図を参照してください。カセットの反対側からスルーアクスルを挿入して車軸を締め付けます。

**注意：**

1. クイックリリースレバーとスルーアクスルをしっかりと締め付け、器物や人体を損傷しないようにします。クイックリリースレバーとスルーアクスルを締め付けられない場合は、サービス事業者や Xplova カスタマーサービスに連絡してください。このような状況では、NOZA V を使用しないでください。
2. バイクを取り付ける際は、前輪を持ち上げ、フレームを押し下げて NOZA V 上にバイクがしっかりと取り付けられるようにします。

・ Xplova NOZA V インジケータの説明

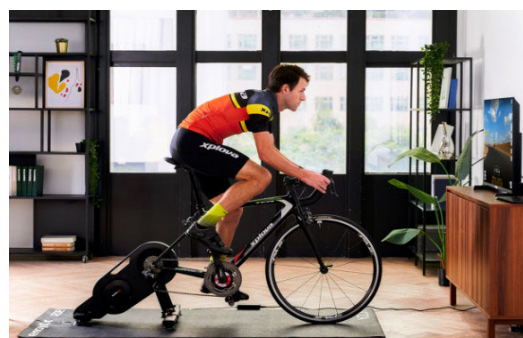
インジケータ	カラー	説明
パワー	オレンジ色	常に点灯：起動中
BLE	青色	点滅：接続中 常に点灯：接続に成功
ANT+	緑色	点滅：接続中 常に点灯：接続に成功

・ サイクリングゲーム QSG

- サイクリングゲームやトレーニングソフトをパソコンやスマートフォンにダウンロードしてください。
 - ZWIFT: www.zwift.com
 - Rouvy: rouvy.com
 - Onelap: www.onelap.cn



- ゲームをインストールし、NOZA V とペアリング接続すると、パワーとスピードのみ表示されます。(ゲームによりケイデンスも表示されます。)
- 自転車をセットしたら、ゲームトレーニングを開始できます。



・ トレーニングプログラムとライディングデータのアップロード

Xplova Workout Plus アプリを使用すると、NOZA の設定や複数のトレーニングプログラムを使用できます。

Xplova が提供する Xplova Workout Plus アプリと NOZA V を接続すると複数のトレーニングプログラムやパフォーマンスデータのアップロードや分析などを行う事ができます。

優れた各種機能の詳細

NOZA Vのすべての機能を利用したい場合は、スマートフォンにXplova Workout Plus アプリをインストールすることをお勧めします。Xplova Workout Plus アプリで次のことができるようになります。

- トレーニング記録の閲覧・保存
- トレーニング記録を各種プラットフォーム（Xplova、Strava、TrainingPeak など）へのアップロード

Google Play または App Store にアクセスして「Xplova Workout Plus」で検索し、アプリのダウンロードとインストールを行ってください。製品に関する詳細情報をご希望の方は、公式ウェブサイト（www.xplova.com）にアクセスして、取扱説明書をダウンロードしてください。

仕様

寸法	615 x 598 x 505 mm
精度	±2%
最大電源出力	2200 W
フライホイールの重量	3.4 KG
最大シミュレート傾斜	20%
音量	58 dB
ドライブトレイン	新しいカセットの購入・取り付けが必要です。 シマノおよび SRAM 8/9/10/11 速カセットに対応
接続	BLE FTMS & ANT+ FE-C
電氣的要件	100 - 240 V、2.5 A、50 Hz - 60 Hz
梱包寸法	700 x 280 x 580 mm

安全上の注意事項と規制

・ 使用前の安全上の注意事項

1. バイクトレーナーが稼働中は、手を触れないようにしてください。また、安全のためにユーザー意外の人物、動物、物体を遠ざけるようにしてください。
2. トレーニングプランを開始する前に、必要があればコーチに相談してください。
3. Xplova NOZA Vの回転部品には手を近づけたり、物を置いたりしないでください。
4. Xplova NOZA Vのフライホイール/カセットは、しばらく使用していると高温になることがあります。稼働中及び稼働後は、フライホイール/カセットには触れないでください。
5. カセットが回転している状態でバイクを外したり、動かしたりしないでください。
6. Xplova NOZA Vを使用しているときは、安全のため、子供やペットが近づかないようにしてください。
7. Xplova NOZA Vは、硬い平らな地面でのみ設置、使用してください。
8. トレーニング中は、安全なライディングを心がけてください。
9. Xplova NOZA Vが水に濡れないようにしてください。
10. トレーニングを行う前には、バイクがXplova NOZA Vにしっかりと固定されているかどうかを確認してください。
11. Xplova NOZA Vは、完全に取り付けが完了してからのみ使用できます。
12. Xplova NOZA Vを使用する際は、Xplova認定のアクセサリのみを使用してください。

・ 注記

1. Xplovaは、他社のソフトウェア、アプリケーション、デバイスを使用したことで発生したXplova NOZA Vの不具合について一切の責任を負わないものとします。
2. ANT+™ および Bluetoothは排他的です。Xplova NOZA VがANT+™ またはBluetoothから同時にデータを送信することは不可能です。いずれかのプロトコルが使用されると、Xplova NOZA Vは、NOZA Vプログラムの誤作動を防ぐために、もう1つのプロトコルを自動的に停止します。
3. 無線の干渉により、Xplova NOZA Vが正しく動作しなくなる事があります。NOZA Vでトレーニングを行う際には、無線の少ない環境下で利用し、高压線、信号機、鉄道電線、バスや列車から離れることが推奨されます。
4. Xplova NOZA Vを使用しないときは、長時間にわたり日光にさらさないようにしてください。

・ 免責事項

注意！ Xplovaは、Xplova NOZA Vの使用（直接または間接）による一時的または永続的なケガについて一切の責任を負わないものとします。

■ メンテナンスとお手入れ

1. バイクトレーナーのクリーニングを行う際は、中性潤滑油を使用してください。腐食性合成洗剤は使用しないでください。
2. バイクトレーナーの表面をブラッシングしたり、穴をあけたりしないでください。傷や穴は、ひび割れを引き起こすことがあります。
3. バイクトレーナーは室内に設置し、湿気によるダメージを避けるためにも乾燥した状態に保ってください。

■ VCCI

この装置は、クラス B 情報技術装置です。この装置は、家庭環境で使用することを目的としています。この装置がラジオやテレビジョン受信機に近接して使用されると、受信障害を引き起こすことがあります。取扱説明書に従って正しい取り扱いをして下さい。VCCI - B

■ Xplova の制限付き保証ポリシー

この制限付き製品保証 (Limited Product Warranty) は、元の Xplova ギフトボックス内に含まれているすべてのアクセサリを含む、Xplova 製品に適用されます。Xplova は、公認販売店や再販売店の製品が、最初の購入の日付から数えて 1 年という制限付き製品保証期間において、該当する製品仕様を満たし、素材および出来栄において欠陥がないことを保証します。また、この保証対象となるには、購入の際に購入者に提供されたユーザーマニュアルおよび付属のその他ドキュメンテーションに従って使用された場合に限り、この制限付き保証は、以下の利用規約のもとで有効となります。

1. 保証サービスを受けるためには、最初に購入された小売店からの購入証明書、あるいは販売領収書の元本またはコピーが必要になります。
2. この限定製品保証は、本製品が販売された国または地域でのみ有効であり、効力を有します。
3. この制限付き製品保証は、Xplova が独断で制限付き製品保証期間中に欠陥のある製品の修理または交換のいずれかを行います。Xplova はオンラインオークションにより購入されたパッケージの紛失した構成部品については一切保証いたしません。
4. 保証サービスを受けるには、発送の説明と RMA 番号に関して、お客様の地域の認定小売店、または Xplova までお問い合わせください。
5. この限定製品保証には、限定製品保証期間内の製品の検査と修理費用が含まれています。故障した製品は、購入者ご自身により、購入者ご自身の負担により、購入証明書と RMA 番号を添えて、指定された施設へ配送されるものとします。
6. Xplova は、修理した製品または交換した製品を正常に使用できる状態で、お客様に送り戻します。交換されたすべての不良製品や構成部品は、Xplova の所有物となります。
7. Xplova が製品を修理交換する場合、修理や交換された製品は元来の保証期間の残りの期間、あるいは修理や交換から 3 か月間のうち、いずれか長い方の期間保証が継続されるものとします。

8. Xplova は以下に示している Web サイトにおいて事前による予告なしに、本利用規約の追加、削除、または変更を行う権限があるものとします。
9. **本製品への損傷が次のいずれかにより生じたものである場合、この限定保証は適用されないものとします。**
 - A. 本製品のシリアル番号が取り外された、消された、汚された、改竄された、あるいは判読できない場合。
 - B. 本製品の通常の使用や習慣以外の方法で製品を使用したことによる破損。
 - C. 通常の磨耗・損傷による製品の劣化の場合。
 - D. Xplova またはその関係社以外のサードパーティによって、本製品が不適切に設置されたり、修理あるいは改造が行われた場合。
 - E. Xplova で正式に認可されていない、あるいは提供されていない部品またはアクセサリを使用して操作したり。意図された用途以外で使用したりすることで発生した破損。
 - F. 高温または高湿による、環境での使用または操作で発生した破損。
- 10 **Xplova は、利益の損失または商業的損失を含むがこれに限定されない、法律で許容される最大限の範囲で偶発的損失または間接損害について一切の責任をいけません。**
11. この制限付き製品保証は、購入国における特定の法律に対する、お客様の権利には影響を与えません。そのような権利は依然として保護されます。一部の国では、偶発的または間接的な損害や破損の除外や制限、暗黙的保証の制限が禁止されています。そのような場合では、その地域や国のお客様には前述の制限の除外が適用されません。

保証対象：

1. 本製品とその部品では通常の使用において、1 年間のアフターセールスマンテナンスサービスを利用できます。
2. 本サービスをリクエストする際には、購入証明やレシートの原本を、本製品の保証書とともに提示してください。この製品保証では、サービス料金が発生することがあります。

この制限付き製品保証およびサービス可用性および対応時間は、国によってことなることがあり、購入国の登録要件に影響を受けることがあることに注意してください。保証状況についてヘルプが必要な場合や、その他の質問がある場合には、元の購入店または Xplova までご連絡ください。

Web サイト

NCD : <https://www.bs-supply.jp/>

Xplova : <https://www.xplova.com>

목차

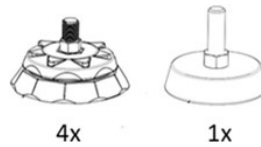
NOZA V 이해하기	1
포장 내용물	1
제품 모양 소개	2
조립 지침	3
Xplova NOZA V 조립하기	3
카세트 부착하기	4
바이크 장착하기	6
Xplova NOZA V 표시등 설명	8
사이클링 게임 QSG	8
트레이닝 프로그램 및 라이딩 데이터 업로드	8
그 밖의 놀라운 기능들	9
사양	9
안전 고지 사항 및 규정	10
사용 전 안전 고지 사항	10
알림	10
알림 및 경고	10
유지 보수 및 관리	11
Xplova 제한적 제품 보증 정책	11

NOZA V 이해하기

■ 포장 내용물



Xplova NOZA V 바이크 트레이너
메인 유닛

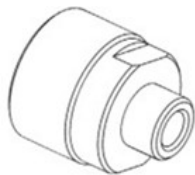


4x 1x

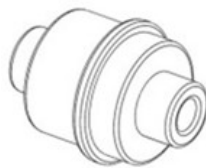
안정기



퀵 릴리스 키트



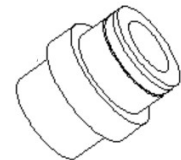
어댑터 A -
퀵 릴리스
카세트 너트용



어댑터 B -
퀵 릴리스
130mm/135mm 용



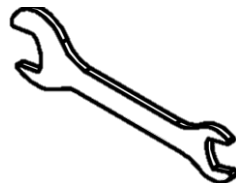
어댑터 C -
스루 축
카세트 너트용



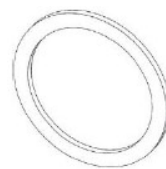
어댑터 D -
스루 축
12x142/
12x148mm 용



어댑터 E -
스루 축
12x148mm
스페이서 링용



오픈 렌치
13 / 17



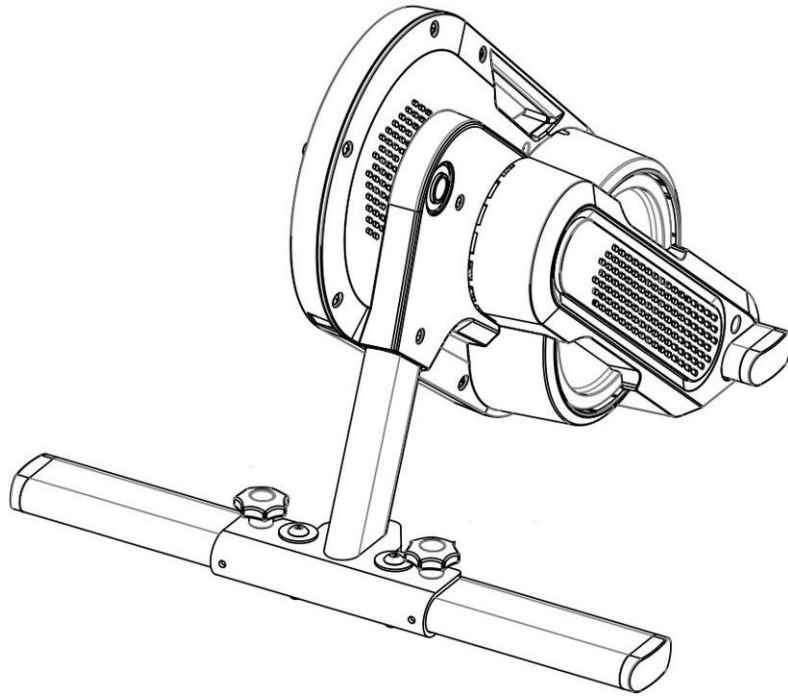
1.8mm 카세트
와셔



전원 어댑터

참고 : 액세서리는 국가 또는 지역에 따라 다를 수 있습니다.

■ 제품 모양 소개

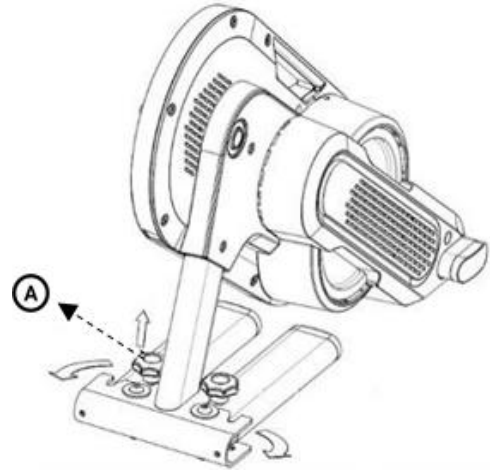


조립 지침

■ Xplova NOZA V 조립하기

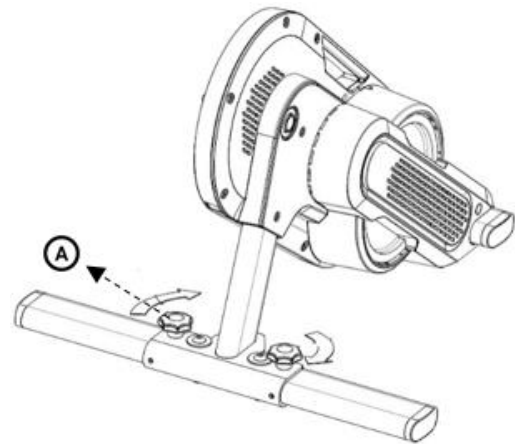
• 지지대 펴기

NOZA V 를 안정된 바닥에 놓고 노브 ①를 화살표 방향으로 천천히 위로 당깁니다. 왼쪽과 오른쪽 하단 튜브를 화살표 방향으로 펼칩니다.



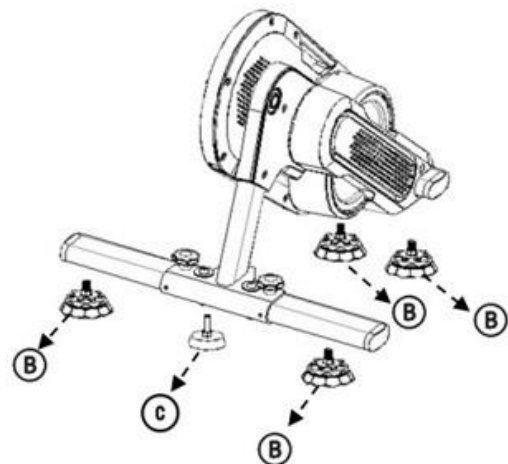
• 노브 조이기

노브 ①를 화살표 방향으로 천천히 조여서 왼쪽과 오른쪽 하단 튜브를 잠급니다.



• 안정기 설치

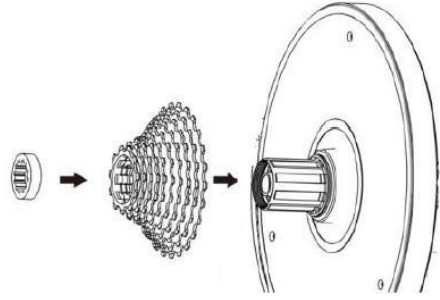
네 개의 지지 안정기 ② 및 한 개의 조절 안정기 ③를 위방향으로 제 자리에 조입니다. 바닥 조건에 따라 안정기의 높이를 조정하여, 네 개의 지지 안정기 ②가 바닥을 단단하게 받치도록 합니다.



■ 카세트 부착하기

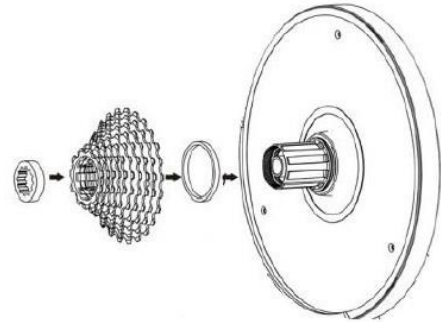
• 호환 가능 11- 스피드 카세트 부착

카세트를 카세트 본체에 수동으로 부착하고, 카세트 너트를 사용하여 카세트 본체에 고정시키십시오. 카세트 착탈 소켓을 사용하여 NOZA V 카세트 본체에 단단하게 고정시키십시오(도구는 포함되어 있지 않음).



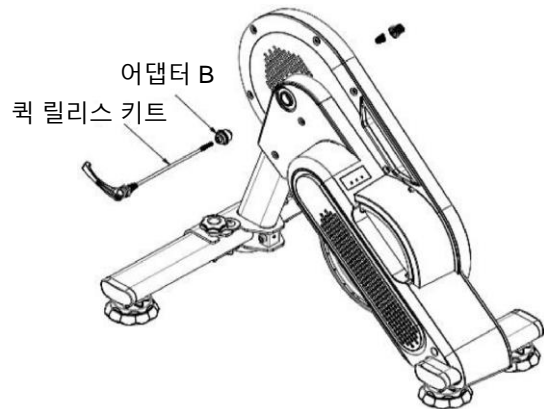
• 9- 스피드 또는 10- 스피드 카세트 부착

9- 스피드 또는 10- 스피드 카세트를 부착하기 전에, 먼저 1.8mm 카세트 와셔를 카세트 본체에 놓은 다음, 위에 설명한 것처럼 NOZA V 카세트 본체에 카세트를 단단하게 고정시켜야 합니다.

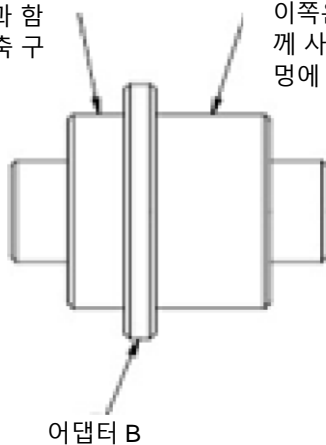


• 130mm 또는 135mm 퀵 릴리스 설치

퀵 릴리스 바이크 프레임에 설치할 때, 어댑터 A, 어댑터 B 및 퀵 릴리스 키트를 사용해야 합니다 (이 세 가지 액세서리는 패키지에 포함되어 있음). 설치를 위해 오른쪽에 있는 그림을 참조하십시오.



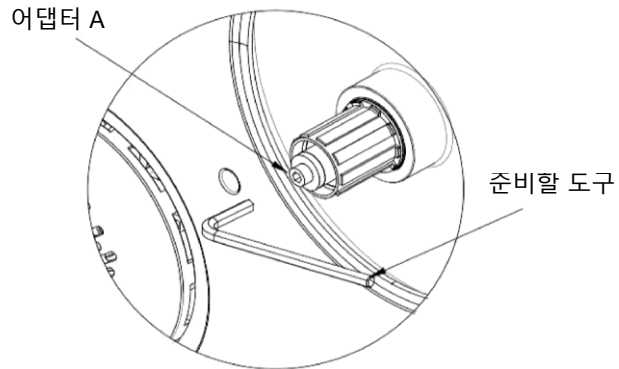
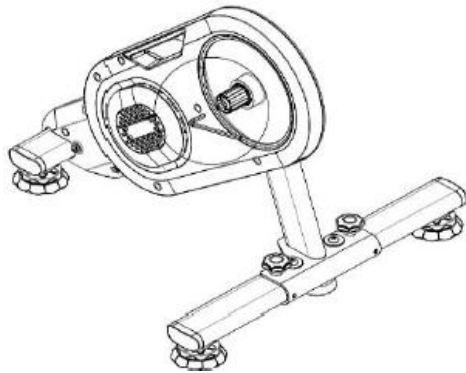
이쪽은 135W 바이크 프레임과 함께 사용하기 위한 것입니다. 축 구멍에 삽입됩니다.



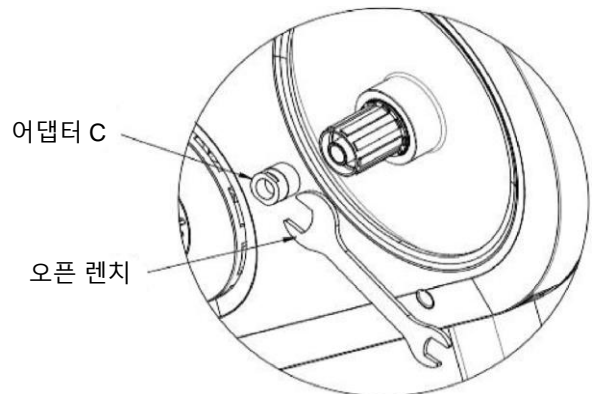
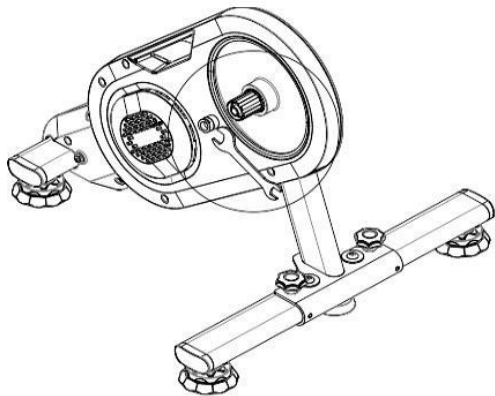
이쪽은 130W 바이크 프레임과 함께 사용하기 위한 것입니다. 축 구멍에 삽입됩니다.

• 142mm 또는 148mm 스루 축 설치

스루 축 바이크 프레임에 설치할 때 , 어댑터 C 와 D 를 사용해야 합니다 (이 두 가지 액세서리는 본 패키지에 포함되어 있음). 설치는 다음 그림을 참조하십시오 .



5mm 육각 렌치를 사용해 오른쪽의 어댑터 A 를 반시계 방향으로 제거합니다 .



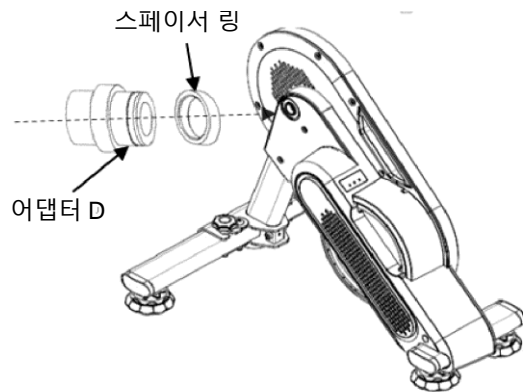
툴킷의 오픈 렌치를 사용해 142/148 어댑터 C 의 끝을 조정하고 엔드 캡을 시계 방향으로 잠급니다 . 이렇게 하면 오른쪽 엔드 캡 교체가 완료됩니다 .

• 142/148 왼쪽 엔드 캡 설치

142/148 어댑터 D (검정색 러버 쪽) 및 스페이서 링 (어댑터 E) 을 주 본체의 축 구멍에 설치합니다 .

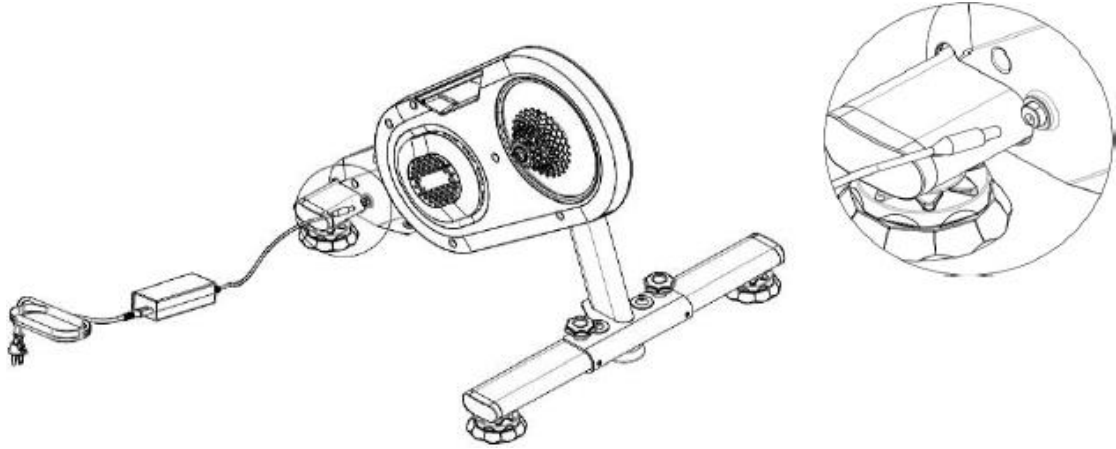
142W 바이크 프레임의 경우 , 스페이서 링 없이 축 구멍에 설치합니다 .

148W 바이크 프레임의 경우 , 스페이서 링과 함께 축 구멍에 설치합니다 .



• 전원 어댑터 설치

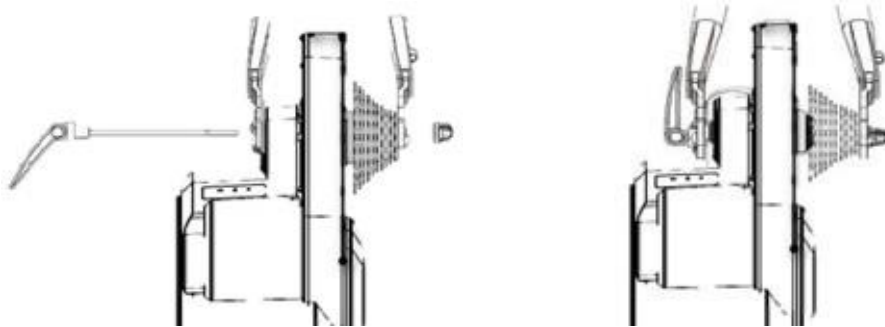
전원 코드를 오른쪽 하우징 하단에 있는 DC 잭에 꽂습니다.



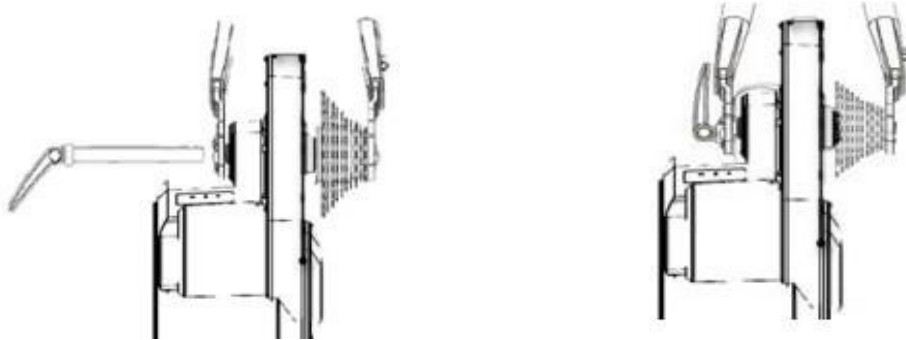
■ **바이크 장착하기**

바이크의 체인을 카세트의 가장 작은 톱니로 이동시킨 다음 뒤쪽 휠을 제거하십시오 .
바이크 체인을 카세트의 가장 작은 톱니에 맞춘 다음 , 체인을 걸고 바이크를 타기에 알맞게 위치를 조정하여 NOZA V 의 축에 올려놓으십시오 .

주의해서 바이크 퀵 릴리스 레버를 적절하게 사용하십시오 . 퀵 릴리스 레버의 회전 암 아크가 바깥 쪽으로 향해 있으면, 레버가 풀려 있음을 의미합니다. 레버의 회전 암을 시계 방향으로 돌려 퀵 릴리스 레버를 조이십시오 . 퀵 릴리스 레버의 회전 암은 NOZA V 카세트의 반대 쪽에 놓여 있어야 합니다 .



스루 축 바이크 설치에 대해서는 다음 그림을 참조하십시오 . 카세트의 반대 쪽에서 스루 축을 삽입하고 축을 단단하게 조이십시오 .



유의 사항 :

1. 재산 또는 인체에 피해를 입지 않도록 퀵 릴리스 레버와 스루 축을 단단하게 조이십시오 . 퀵 릴리스 레버와 스루 축을 단단하게 조일 수 없을 경우 , 대리점이나 Xplova 고객 서비스에 문의하십시오 . 이런 상황에서 NOZA V 를 사용하지 마십시오 .
2. 바이크를 장착할 때 , 전면 휠을 들어올린 다음 프레임을 아래로 눌러 바이크가 NOZA V 에 단단하게 장착되게 하십시오 .

■ Xplova NOZA V 표시등 설명

표시등	색상	설명
파워	황색	일정 : 시작 중
BLE	파란색	깜박임 : 연결 중 일정 : 연결 성공
ANT+	녹색	깜박임 : 연결 중 일정 : 연결 성공

■ 사이클링 게임 QSG

1. PC/MAC 또는 스마트폰에 몇 가지 사이클링 게임 소프트웨어를 다운로드하십시오 . 주요 게임은 다음과 같습니다 :
 - ZWIFT: www.zwift.com
 - Rouvy: rouvy.com
 - Onelap: www.onelap.cn



2. 게임을 설치하고 NOZA V 와 연결을 설정한 후, 파워 및 속도 데이터만 표시됩니다.
3. 바이크에 올라타면 , 게임 트레이닝을 경험할 준비가 됩니다 .



■ 트레이닝 프로그램 및 라이딩 데이터 업로드

Xplova Workout Plus 앱을 통해 NOZA V 를 제어하고 여러 트레이닝 프로그램을 사용할 수 있습니다 .

좀더 상세한 분석을 원할 경우 , Xplova Workout Plus 앱을 이용하여 분석을 위해 웹사이트에 업로드할 수 있습니다 .

■ 그 밖의 놀라운 기능들

NOZA V 의 모든 기능을 경험하고 싶으면 스마트폰에 Xplova Workout Plus 앱을 설치하는 것이 좋습니다 . Xplova Workout Plus 앱으로 할 수 있는 것들 :

- 트레이닝 기록 보기 / 보관
- 다양한 플랫폼 (예 : Xplova, Strava, TrainingPeak 등) 에 기록을 업로드

Google Play 또는 App Store 에서 "Xplova Workout Plus" 를 검색한 후 앱을 다운로드하여 설치하십시오 . 이 제품에 대해 좀더 자세히 알고 싶으면 , 공식 웹사이트 www.xplova.com 에서 사용자 설명서를 다운로드하십시오 .

■ 사양

크기	615 x 598 x 505 mm
정확도	±2%
최대 전원 출력	2200 W
플라이휠 무게	3.4 KG
최대 시뮬레이션 기울기	20%
사운드 레벨	58 dB
동력 전달	새 카세트의 구입 / 설치 필요 : Shimano 및 SRAM 8/9/10/11 자전거 호환 가능
연결성	BLE FTMS 및 ANT+ FE-C
전기 요구 사항	100 - 240 V, 2.5 A, 50 Hz - 60 Hz
상자 크기	700 x 280 x 580 mm

안전 고지 사항 및 규정

■ 사용 전 안전 고지 사항

1. 작동 중일 때 바이크 트레이너를 만지지 마십시오 . 위험을 방지하기 위해 다른 사람 , 동물 또는 물체와 거리를 두어야 합니다 .
2. 트레이닝 플랜을 시작하기 전에 코치와 상의하십시오 .
3. Xplova NOZA V 의 회전하는 부분에 손을 대거나 다른 물체를 가까이 두지 마십시오 .
4. 한 동안 사용한 후에는 Xplova NOZA V 의 플라이휠 / 카세트가 뜨거워질 수 있습니다 . 사용 직후 플라이휠 / 카세트를 만지지 마십시오 .
5. 카세트가 실행 중일 때 바이크를 분리하려고 하지 마십시오 .
6. Xplova NOZA V 를 사용 중일 때는 어린이와 애완 동물의 접근을 막아 부상을 입지 않도록 하십시오 .
7. Xplova NOZA V 는 단단하고 평형한 곳에서만 설치 및 사용해야 합니다 .
8. 트레이닝이 진행 중일 때 안전하게 타십시오 .
9. 물이 닿지 않게 하십시오 .
10. 트레이닝하기 전에 , 바이크가 Xplova NOZA V 에 단단하게 고정되었는지 확인해야 합니다 .
11. Xplova NOZA V 는 완전히 조립한 후 사용해야 합니다 .
12. Xplova NOZA V 를 사용할 때 , Xplova 에서 인증한 액세서리만 사용할 수 있습니다 .

■ 알림

1. Xplova 는 Xplova NOZA V 에 고장을 일으키는 다른 회사의 소프트웨어 , 애플리케이션 및 장치를 사용하는 이용자에 대해서는 책임을 지지 않습니다 .
2. ANT+ ™ 및 Bluetooth 는 상호 배타적이므로 , Xplova NOZA V 가 ANT+ ™ 또는 Bluetooth 를 통해 동시에 데이터를 보내는 것은 불가능합니다 . 즉 , 프로토콜 중 하나가 사용 중일 때 Xplova NOZA V 는 자동으로 다른 프로토콜을 중지하여 NOZA V 프로그램이 오작동을 일으킬 가능성을 차단합니다 .
3. 무선 장치가 간섭을 일으킬 수 있고 , Xplova NOZA V 에 변형을 주거나 정상적인 작동을 방해할 수 있습니다 . 따라서 , NOZA V 를 이용하여 트레이닝할 때 고압 전력선 , 교통 신호 , 철도 전력선 , 버스 또는 전차로부터 멀리 떨어질 것을 권장합니다 .
4. Xplova NOZA V 를 사용하지 않을 때는 오랜 시간 동안 직사광선에 노출시키지 않도록 하십시오 .

■ 알림 및 경고

주의 ! Xplova 는 Xplova NOZA V 사용과 관련하여 (직접적이거나 간접적으로) 이용자에 발생할 수 있는 일시적 또는 영구적 부상에 대해 책임을 지지 않습니다 .

■ 유지 보수 및 관리

1. 바이크 트레이너를 닦을 때 중성 윤활유를 사용하십시오. 부식성 세제는 사용하지 마십시오 .
2. 바이크 트레이너 또는 드릴 구멍의 표면에 광을 내지 마십시오. 긁히거나 드릴 구멍으로 인해 금이 갈 수 있습니다 .
3. 바이크 트레이너를 건조한 실내에 보관하여 습기로 인한 피해를 방지하십시오 .

■ Xplova 제한적 제품 보증 정책

이 제한적 제품 보증은 본래의 Xplova 선물 상자에 포함되어 있는 Xplova 제품 및 모든 액세서리에 적용됩니다 . Xplova 는 제품 구매 당시 구매자에게 제공한 사용자 설명서 및 그 밖의 문서를 준수하여 사용되고 관리된 경우, 공인 총판 및 소매점에서 구입한 제품이 해당 제품 규격을 충족하며 자재 및 제조에 결함이 없을 것임을 제한적 제품 보증 기간 (원래 구매일로부터 **일 년**) 동안 보증합니다 . 이 제한적 제품 보증에 다음과 같은 조건이 적용됩니다 :

1. 보증 서비스를 받으려면 , 구매 증명서 , 구매한 소매점이 발행한 판매 영수증 원본 또는 사본이 필요합니다 .
2. 이 제한적 제품 보증은 제품이 판매된 국가/지역에서만 유효하고 시행 가능합니다.
3. 이 제한적 제품 보증은 제한적 제품 보증 기간 동안 Xplova 의 단독 재량으로 결함있는 제품의 수리 또는 교환을 보증합니다 . Xplova 는 온라인 경매를 통해 구매한 포장물에 누락된 구성품에 대한 교환은 제공하지 않습니다 .
4. 보증 서비스를 받으려면 , 현지의 공인 Xplova 소매점 또는 Xplova 에 배송 지침과 RMA 번호를 문의하십시오 .
5. 이 제한적 제품 보증에는 제한적 제품 보증 기간 동안 제품의 검사 및 수리에 드는 비용이 적용됩니다 . 결함있는 제품은 구매자가 구매 증명서 및 RMA 번호와 함께 본인 비용으로 지정된 장소에 배달해야 합니다 .
6. Xplova 는 잘 작동하는 상태로 수리된 제품 또는 교환 제품을 택배 집하장으로 보내 드리며 여기에서 고객이 찾아가시면 됩니다 . 교환받은 결함 제품 또는 부품은 Xplova 의 자산이 됩니다 .
7. Xplova 가 제품을 수리 또는 교환하는 경우 , 수리 또는 교환된 제품은 원래 제품의 남은 기간과 수리 또는 교환 날짜로부터 삼 (3) 개월 중에 더 긴 기간 동안 보증이 제공됩니다 .
8. Xplova 는 아래에 나온 자사 웹사이트에 사전 고지하지 않고도 언제든지 약관을 추가 , 삭제 또는 수정할 권리를 보유합니다 .
9. **다음 원인으로 인한 손상에 대해서는 이 제한적 보증이 적용되지 않습니다 :**
 - A. 제품 일련 번호가 지워졌거나 , 제거 , 훼손 또는 변조되었거나 불법적인 경우 .
 - B. 정상적이고 통상적인 방식이 아닌 방식으로 제품을 사용함으로써 인해 발생한 손상 .
 - C. 정상적인 마모 또는 헤짐으로 인한 제품의 약화 .
 - D. Xplova 또는 해당 지정 기술자가 아닌 제삼자에 의한 잘못된 설치 , 무단 수리 , 개조 또는 수정으로 인해 발생한 손상 .

- E. Xplova 가 제공하거나 공식적으로 허가하지 않은 부품 또는 액세서리를 사용하여 작동하거나 본래의 용도가 아닌 방식으로 사용함으로 인해 발생한 손상 .
- F. 비정상적인 부식 조건에 노출시키거나 과도한 열 또는 습기가 있는 곳에서 작동함으로 인해 발생한 손상 .

10 법률이 허용하는 최대한의 범위 내에서 , XPLOVA 는 부수적 또는 파생적 손해 , 또는 자연적 손상 (이익 손실 또는 상업적 손실을 포함하되 이에 제한되지 않음) 에 대해 책임을 지지 않습니다 .

11. 이 제한적 제품 보증은 구매한 국가의 법률에서 보장하는 고객의 법적 권리에 영향을 주지 않으며 , 그러한 권리는 계속 보호됩니다 . 일부 국가에서는 부수적 또는 파생적 손해를 배제 또는 제한하거나 , 묵시적 보증을 제한하는 행위를 허용하지 않으므로 , 그러한 국가에서는 위의 제한 또는 배제가 고객에게 적용되지 않을 수 있습니다 .

보증 적용 범위 :

1. 정상적인 사용 조건 하에서 , 제품 주 유닛과 구성 요소에 대해 일년 동안 유지보수 애프터 서비스가 제공됩니다 .
2. 서비스를 요청하실 때 원본 구매 승인서 또는 구매 영수증을 제품 보증서와 함께 제출하십시오 . 이 제품 보증서에 의거하여 서비스 요금이 부과될 수도 있습니다 .

제한적 제품 보증 기간 , 서비스를 받을 수 있는지 여부 및 응답 시간은 국가마다 다를 수 있고 구매한 국가의 등록 요건을 따릅니다 . 보증 조건에 관해 도움이 필요하거나 기타 질문이 있으시면 , 구매한 소매점 또는 Xplova 에 문의하십시오 .

웹사이트 : <https://www.xplova.com>



INHALTSVERZEICHNIS

Erste Schritte mit NOZA V.....	1
Lieferumfang.....	1
Produktdarstellung.....	2
Aufbauanleitung	3
Montage des Xplova NOZA V	3
Anbringen der Kassette	4
Montage des Fahrrads	6
Xplova NOZA V Beschreibung der Anzeigen.....	8
Fahrradspiel Kurzanleitung	8
Trainingsprogramm und Hochladen von Fahrdaten.....	8
Weitere tolle Funktionen	9
Technische Daten	9
Sicherheitsvorkehrungen und Vorschriften.....	10
Sicherheitsvorkehrungen vor dem Gebrauch.....	10
Hinweise	10
Haftungsausschluss	11
Wartung und Pflege.....	11
Xplova Eingeschränkte Produktgarantie	11

ERSTE SCHRITTE MIT NOZA V

■ Lieferumfang



Xplova NOZA V Fahrradtrainer Hauptteil



4x

Stabilisierung



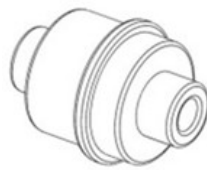
1x



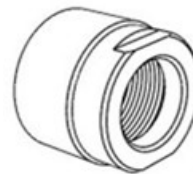
Schnellspannsatz



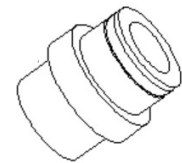
Adapter A –
für
Schnellauslöser
Kassettenmutter



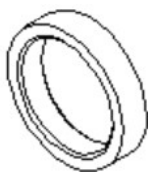
Adapter B –
für
Schnellauslöser
130mm/135mm



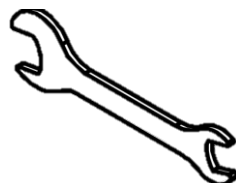
Adapter C –
für Steckachse
Kassettenmutter



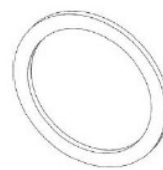
Adapter D –
für Steckachse
12x142/
12x148mm



Adapter E -
für Steckachse
12x148mm
Abstandsring



Maulschlüssel
13 / 17



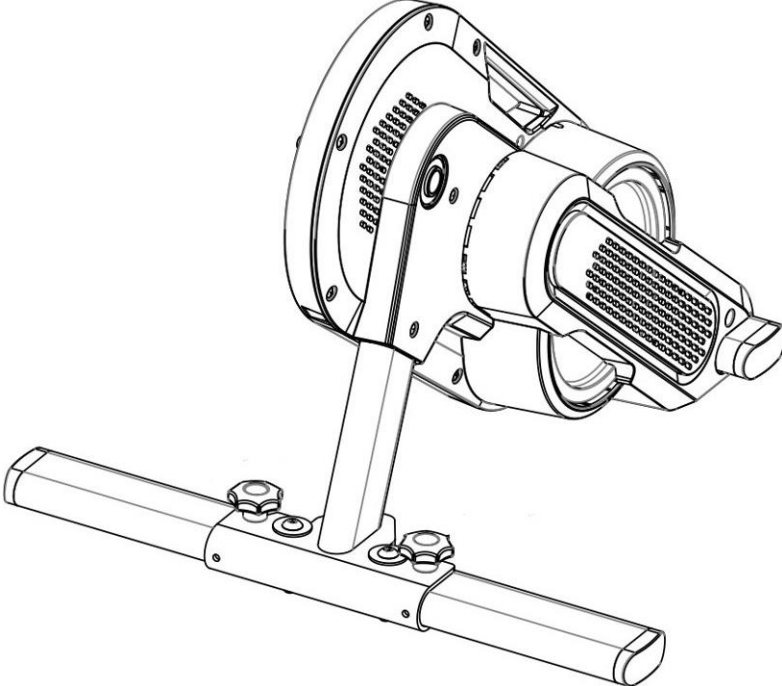
1,8mm
Unterlegscheibe
für Kassetten



Netzteil

Hinweis: Das Zubehör kann je nach Land oder Region variieren.

■ **Produktdarstellung**



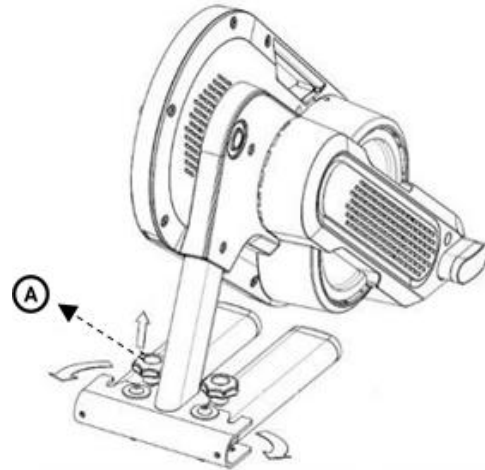
DE

AUFBAUANLEITUNG

■ Montage des Xplova NOZA V

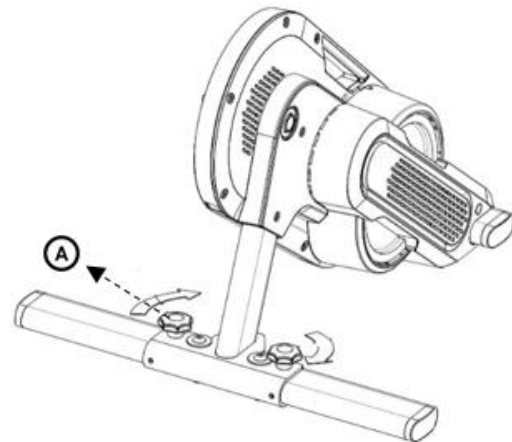
• Stützen entfalten

Stellen Sie den NOZA V auf einen stabilen Untergrund und ziehen Sie die Knöpfe (A) leicht in Pfeilrichtung nach oben. Ziehen Sie sowohl das linke als auch das rechte Unterrohr in Pfeilrichtung heraus.



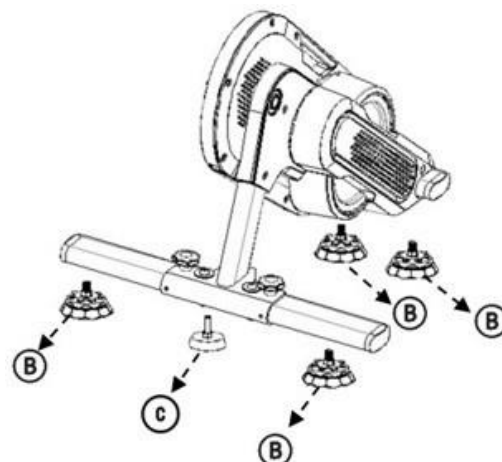
• Knöpfe festziehen

Ziehen Sie die Knöpfe (A) leicht in Pfeilrichtung fest, um das linke und rechte Unterrohr zu verriegeln.



• Stabilisatoren installieren

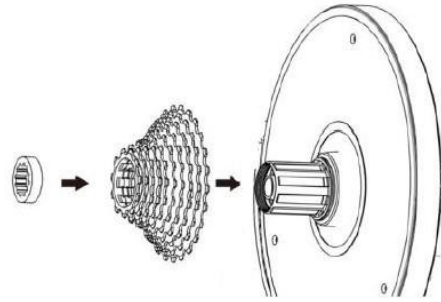
Schrauben Sie vier Stützstabilisatoren (B) und einen Einstellstabilisator (C) nach oben in Position. Stellen Sie die Höhe der Stabilisatoren entsprechend den Bodenverhältnissen ein, so dass die vier Stützstabilisatoren (B) fest auf dem Boden stehen.



■ Anbringen der Kassette

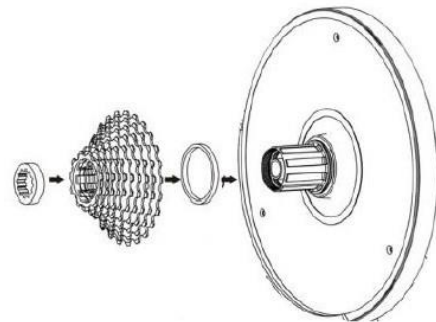
• Anbringen einer kompatiblen 11-fach Kassette

Befestigen Sie die Kassette manuell am Kassettengehäuse und sichern Sie sie mit der Kassettenmutter am Kassettengehäuse. Verwenden Sie die Kassettenentnahmehülse, um sie am NOZA V Kassettengehäuse zu befestigen (das Werkzeug ist nicht im Lieferumfang enthalten).



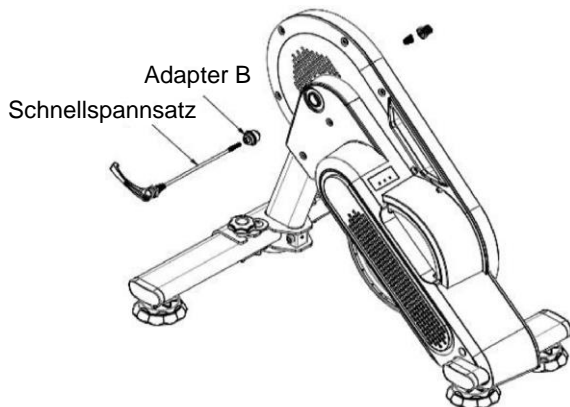
• Anbringen einer 9- oder 10-fach Kassette

Bevor Sie eine 9- oder 10-fach Kassette anbringen, müssen Sie die 1,8mm Unterlegscheibe für Kassetten zuerst am Kassettengehäuse anbringen und dann die Kassette wie oben beschrieben am NOZA V Kassettengehäuse befestigen.



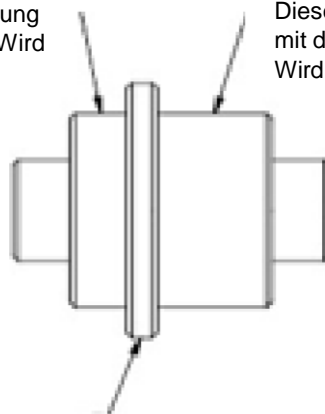
• 130mm oder 135mm Schnellspanner Montage

Bei der Montage auf einem Schnellspannerrahmen müssen Sie den Adapter A, den Adapter B und das Schnellspannerset verwenden (diese drei Zubehörteile sind im Lieferumfang enthalten). Die Installation entnehmen Sie bitte der Abbildung rechts.



Dieses Ende ist für die Verwendung mit dem 135W Fahrradrahmen. Wird in das Achsloch eingeführt.

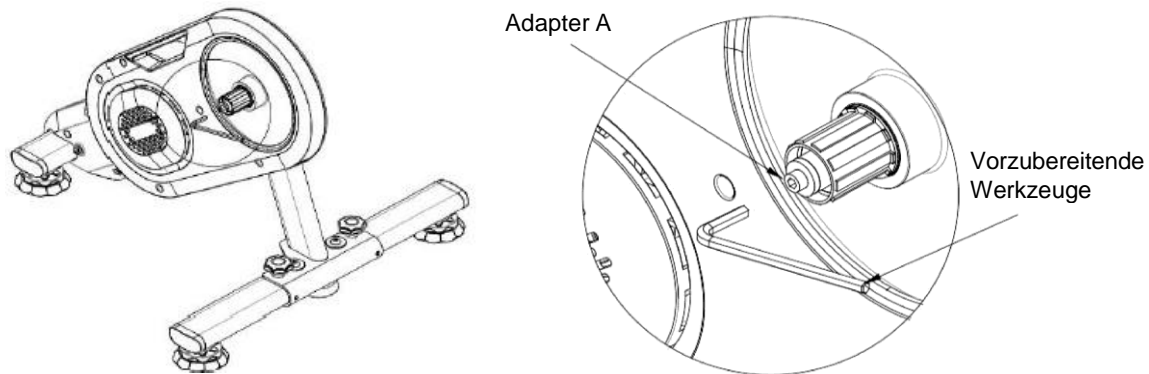
Dieses Ende ist für die Verwendung mit dem 130W Fahrradrahmen. Wird in das Achsloch eingeführt.



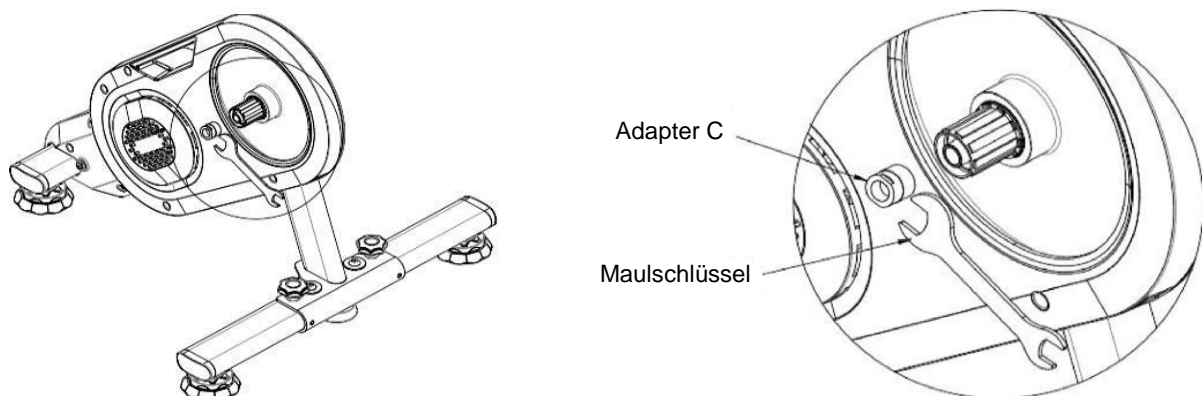
Adapter B

• **142mm oder 148mm Steckachsen Montage**

Bei der Montage auf einem Fahrradrahmen mit Steckachse müssen Sie die Adapter C und D verwenden (die beiden Zubehörteile sind im Lieferumfang enthalten). Bitte beachten Sie die folgenden Abbildungen für die Installation.



Verwenden Sie einen 5mm Sechskantschlüssel, um den Adapter A auf der rechten Seite gegen den Uhrzeigersinn zu entfernen.



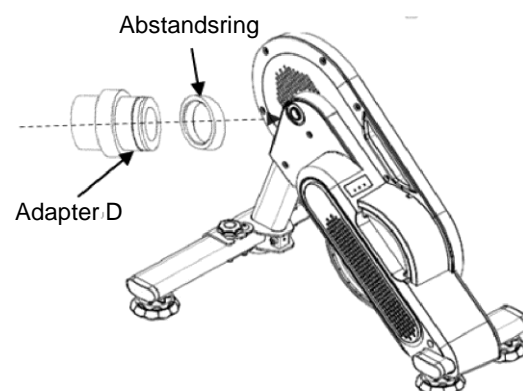
Verwenden Sie den Maulschlüssel aus dem Werkzeugset, um das Ende des 142/148 Adapters C auszurichten und die Endkappe im Uhrzeigersinn zu verriegeln. Damit ist der Austausch der rechten Endkappe abgeschlossen.

• **Installation der linken Endkappe 142/148**

Setzen Sie den 142/148 Adapter D (schwarze Gummiseite) und den Abstandsring (Adapter E) in die Achsbohrung am Hauptkörper ein.

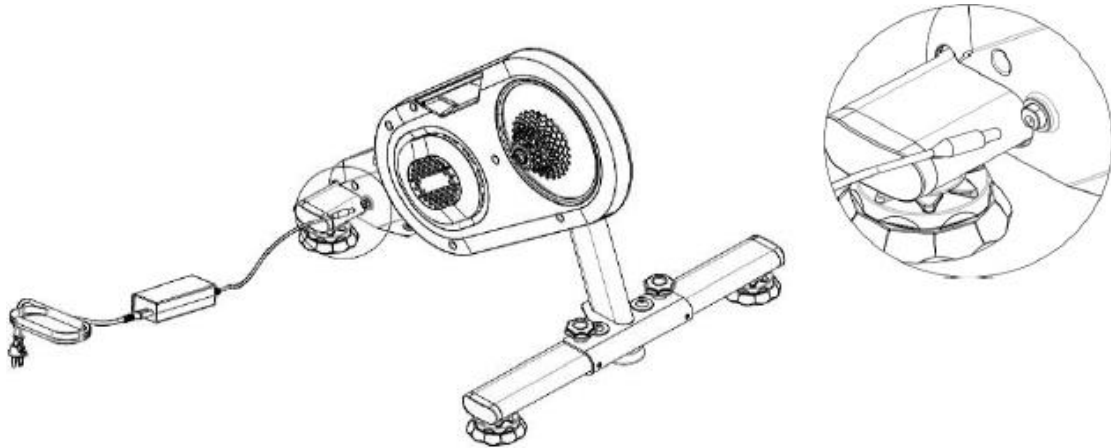
Für 142W Fahrradrahmen, ohne den Abstandsring auf das Achsloch installieren.

Für 148W Fahrradrahmen, mit dem Abstandsring auf das Achsloch installieren.



- **Installation des Netzteils**

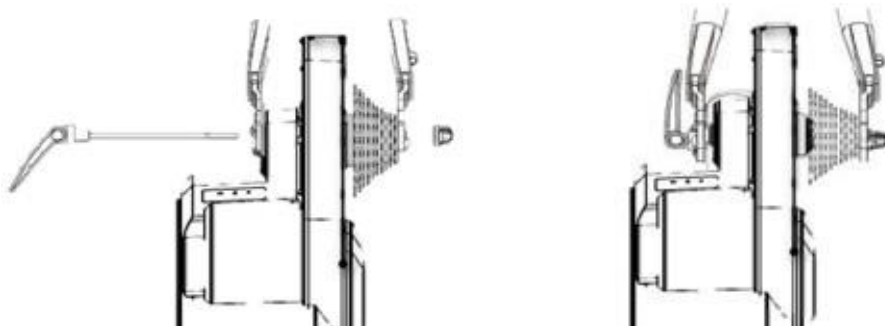
Schließen Sie das Netzkabel an die Gleichstrombuchse an der Unterseite des rechten Gehäuses an.



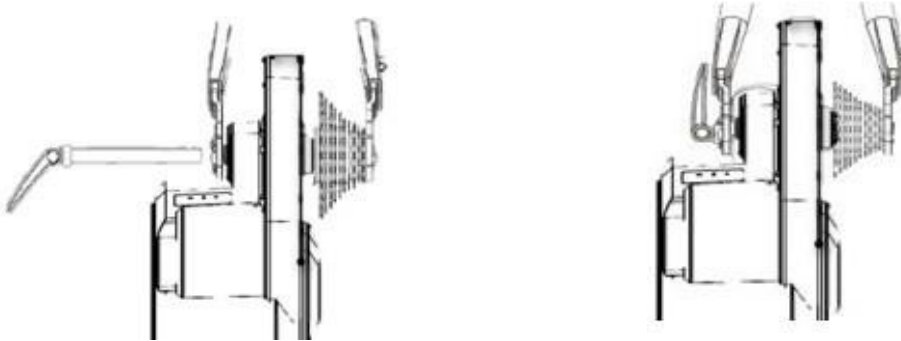
- **Montage des Fahrrads**

Schieben Sie die Kette an Ihrem Fahrrad auf das kleinste Kettenrad der Kassette und entfernen Sie dann das Hinterrad. Richten Sie die Fahrradkette am kleinsten Kettenrad der Kassette aus und legen Sie dann die Kette an. Montieren Sie das Fahrrad auf der Achse des NOZA V, um das Fahrrad in eine für die Fahrt geeignete Position zu bringen.

Bitte verwenden Sie den Fahrrad-Schnellspannhebel mit Bedacht. Wenn der Bogen des Dreharms des Schnellspannhebels nach außen zeigt, bedeutet dies, dass sich der Hebel in einem freigegebenen Zustand befindet. Drehen Sie den Dreharm des Hebels im Uhrzeigersinn, um den Schnellspannhebel festzuziehen. Der Dreharm des Schnellspannhebels sollte auf der anderen Seite der Kassette des NOZA V platziert werden.



Bitte beachten Sie die folgende Abbildung für die Installation des Steckachsrahmens. Setzen Sie die Steckachse von der anderen Seite der Kassette ein und ziehen Sie die Achse fest.

**Achtung:**

1. Bitte ziehen Sie den Schnellspannhebel und die Steckachse fest an, um Sach- und Personenschäden zu vermeiden. Wenn Sie den Schnellspannhebel und die Steckachse nicht festziehen können, wenden Sie sich bitte an Ihren Händler oder den Xplova Kundendienst. Bitte versuchen Sie NICHT, den NOZA V in diesem Fall zu verwenden.
2. Wenn Sie das Fahrrad montieren, heben Sie bitte das Vorderrad an und drücken Sie den Rahmen nach unten, damit das Fahrrad fest auf dem NOZA V montiert ist.

■ Xplova NOZA V Beschreibung der Anzeigen

Anzeige	Farbe	Beschreibung
Leistung	Orange	Leuchtend: wird gestartet
BLE	Blau	Blinkend: wird verbunden Leuchtend: Verbindung erfolgreich
ANT+	Grün	Blinkend: wird verbunden Leuchtend: Verbindung erfolgreich

■ Fahrradspiel Kurzanleitung

- Bitte laden Sie eine Fahrradspiel Trainingssoftware auf PC/MAC oder Smartphone herunter. Hier sind ein paar zentrale Spiele:
 - ZWIFT: www.zwift.com
 - Rouvy: rouvy.com
 - Onelap: www.onelap.cn



- Nach der Installation des Spiels und dem Verbindungsaufbau mit NOZA V werden nur die Leistungs- und Geschwindigkeitsdaten angezeigt.
- Nachdem Sie das Fahrrad montiert haben, können Sie mit dem Spieltraining zu beginnen.



■ Trainingsprogramm und Hochladen von Fahrdaten

Verwenden Sie die Xplova Workout Plus App, um den NOZA V zu steuern und mehrere Trainingsprogramme zu nutzen.

Wenn Sie eine detailliertere Analyse durchführen möchten, können Sie die Xplova Workout Plus App verwenden, um zur Analyse auf die Webseite hochzuladen.

■ Weitere tolle Funktionen

Wenn Sie die volle Funktionalität des NOZA V nutzen möchten, empfehlen wir Ihnen, die Xplova Workout Plus App auf Ihrem Smartphone zu installieren. Mit der Xplova Workout Plus App können Sie:

- Trainingsaufzeichnungen anzeigen/speichern
- Die Datensätze auf verschiedene Plattformen hochladen (z.B. Xplova, Strava, TrainingPeak usw.)

Bitte gehen Sie zu Google Play oder App Store, um nach "Xplova Workout Plus" zu suchen und um die App herunterzuladen und zu installieren. Wenn Sie das Produkt besser verstehen möchten, besuchen Sie bitte unsere offizielle Webseite unter www.xplova.com und laden Sie die Bedienungsanleitung herunter.

■ Technische Daten

Abmessungen	615 x 598 x 505 mm
Genauigkeit	±2%
Maximale Ausgangsleistung	2200 W
Schwungradgewicht	3,4 KG
Max. simulierte Steigung	20%
Schallpegel	58 dB
Antriebsstrang	Erfordert den Kauf/die Installation einer neuen Kassette: Kompatibel mit Shimano & SRAM 8/9/10/11-Gang Kassette
Konnektivität	BLE FTMS & ANT+ FE-C
Elektrische Anforderungen	100 - 240 V, 2,5 A, 50 Hz - 60 Hz
Paketabmessungen	700 x 280 x 580 mm

SICHERHEITSVORKEHRUNGEN UND VORSCHRIFTEN

■ Sicherheitsvorkehrungen vor dem Gebrauch

1. Wenn der Fahrradtrainer aktiv ist, berühren Sie ihn bitte nicht und halten Sie Nichtbenutzer, Tiere oder Gegenstände von ihm fern, um Gefahren zu vermeiden.
2. Wenden Sie sich an Ihren Trainer, bevor Sie mit dem Training beginnen.
3. Bitte legen Sie Ihre Hände oder Gegenstände NICHT in die Nähe der sich drehenden Teile des Xplova NOZA V.
4. Das Schwungrad/die Kasette des Xplova NOZA V kann nach längerem Gebrauch heiß werden. Bitte berühren Sie das Schwungrad/die Kasette NICHT innerhalb kurzer Zeit.
5. Bitte versuchen Sie NICHT, das Fahrrad zu demontieren, wenn die Kasette läuft.
6. Wenn Sie den Xplova NOZA V verwenden, halten Sie Ihre Kinder und Haustiere von ihm fern, um Verletzungen zu vermeiden.
7. Der Xplova NOZA V darf nur auf festem, ebenem Boden installiert und betrieben werden.
8. Fahren Sie bitte vorsichtig, wenn das Training läuft.
9. Von Wasser fernhalten.
10. Vor dem Training sollten Sie überprüfen, ob das Fahrrad fest mit dem Xplova NOZA V verbunden ist.
11. Der Xplova NOZA V kann erst nach der vollständigen Montage verwendet werden.
12. Wenn Sie den Xplova NOZA V verwenden, dürfen Sie nur von Xplova zertifiziertes Zubehör verwenden.

■ Hinweise

1. Xplova ist nicht verantwortlich für die Nutzung von Software, Anwendungen und Geräten anderer Unternehmen, die zu einer Fehlfunktion des Xplova NOZA V führen.
2. Da sich ANT+™ und Bluetooth gegenseitig ausschließen, ist es für den Xplova NOZA V unmöglich, gleichzeitig Daten über ANT+™ oder Bluetooth zu senden, d.h. wenn eines der Protokolle verwendet wird, stoppt der Xplova NOZA V automatisch das andere Protokoll, um zu vermeiden, dass sich NOZA V Programme schlecht verhalten.
3. Funkgeräte können Störungen verursachen und den normalen Betrieb des Xplova NOZA V verändern oder ganz verhindern. Daher wird empfohlen, sich beim Training mit dem NOZA V von Hochspannungsleitungen, Ampeln, Bahnstromleitungen, Bussen oder Straßenbahnen fernzuhalten.
4. Wenn der Xplova NOZA V nicht in Gebrauch ist, achten Sie darauf, ihn nicht über einen längeren Zeitraum dem direkten Sonnenlicht auszusetzen.

■ Haftungsausschluss

Achtung! Xplova haftet nicht für vorübergehende oder dauerhafte Verletzungen des Benutzers durch die Nutzung des Xplova NOZA V (direkt oder indirekt).

■ Wartung und Pflege

1. Verwenden Sie bei der Reinigung des Fahrradtrainers bitte neutrales Schmieröl. Verwenden Sie KEINE korrosiven Reinigungsmittel.
2. Polieren Sie NICHT die Oberfläche des Fahrradtrainers oder die Bohrungen. Kratzer oder Bohrungen führen zum Auftreten von Rissen.
3. Bitte stellen Sie den Fahrradtrainer in den Innenbereich und halten Sie ihn trocken, um Schäden durch Feuchtigkeit zu vermeiden.

■ Xplova Eingeschränkte Produktgarantie

Diese eingeschränkte Produktgarantie gilt für Xplova Produkte einschließlich aller Zubehörteile, die in der Originalverpackung von Xplova enthalten sind. Xplova garantiert, dass die von seinen autorisierten Vertriebshändlern und Einzelhändlern vertriebenen Produkte die geltenden Produktspezifikationen erfüllen und während der eingeschränkten Produktgarantiezeit von **einem Jahr** ab dem ursprünglichen Kaufdatum frei von Material- und Verarbeitungsfehlern sind, wenn die Produkte gemäß dem Benutzerhandbuch und anderen Unterlagen, die dem Käufer zum Zeitpunkt des Kaufs zur Verfügung gestellt wurden, verwendet und gewartet werden. Diese eingeschränkte Produktgarantie unterliegt den folgenden Bedingungen:

1. Um Garantieleistungen in Anspruch nehmen zu können, ist ein Kaufnachweis, z.B. das Original oder eine Kopie des Kaufbelegs des ursprünglichen Händlers, erforderlich.
2. Diese eingeschränkte Produktgarantie ist nur in dem Land/der Region gültig und durchsetzbar, in dem/der das Produkt verkauft wird.
3. Im Rahmen dieser eingeschränkten Produktgarantie steht Xplova nach eigenem Ermessen die Option zur Verfügung, das defekte Produkt während der eingeschränkten Produktgarantiezeit entweder zu reparieren oder zu ersetzen. Xplova ersetzt keine fehlenden Komponenten in Geräten, die über Online-Auktionen erworben wurden.
4. Um den Garantieservice in Anspruch zu nehmen, wenden Sie sich bitte an Ihren örtlichen Xplova Vertragshändler oder an Xplova, um Versandanweisungen und eine RMA-Nummer zu erhalten.
5. Diese eingeschränkte Produktgarantie deckt die Kosten für die Inspektion und Reparatur des Produkts während der eingeschränkten Produktgarantiezeit. Das fehlerhafte Produkt wird vom Käufer auf eigene Kosten zusammen mit dem Kaufbeleg und der RMA-Nummer an die dafür vorgesehenen Stellen gesendet.
6. Xplova sendet das reparierte oder ausgetauschte Produkt in einwandfreiem Zustand zur Abholung durch den Kunden an die Ablagestelle zurück. Alle ersetzten fehlerhaften Produkte oder Komponenten gehen in das Eigentum von Xplova über.

7. Wenn Xplova das Produkt repariert oder ersetzt, bleibt das reparierte oder ersetzte Produkt für die verbleibende Zeit der ursprünglichen Garantiezeit oder für drei (3) Monate ab dem Datum der Reparatur oder des Ersatzes, je nachdem, welcher Zeitraum länger ist, weiterhin garantiert.
8. Xplova behält sich das Recht vor, die Allgemeinen Geschäftsbedingungen jederzeit und ohne vorherige Ankündigung auf der unten angegebenen Webseite zu ergänzen, zu löschen oder zu ändern.
- 9. DIESE EINGESCHRÄNKTE GARANTIE GILT NICHT, WENN DER SCHADEN DURCH EINE DER FOLGENDEN URSACHEN VERURSACHT WURDE:**
 - A. Die Seriennummer des Produkts wurde entfernt, gelöscht, entstellt, verunstaltet, verändert oder ist unleserlich.
 - B. Der Schaden resultiert aus der Verwendung des Produkts auf eine andere als die normale und übliche Art und Weise.
 - C. Verschlechterung des Produkts durch normale Abnutzung.
 - D. Der Schaden entsteht durch unsachgemäße Installation, nicht autorisierte Reparaturen, Änderungen oder Modifikationen an diesem Produkt durch Dritte, die nicht von Xplova oder dessen Beauftragten stammen.
 - E. Der Schaden entsteht durch den Betrieb mit Komponenten oder Zubehör, die nicht offiziell von Xplova autorisiert oder geliefert wurden, oder durch die Verwendung für einen anderen als den vorgesehenen Zweck.
 - F. Der Schaden ist auf ungewöhnlich korrosive Bedingungen oder den Betrieb bei extremer Hitze oder Feuchtigkeit zurückzuführen.
- 10. XPLOVA HAFTET NICHT FÜR ZUFÄLLIGE VERLUSTE ODER FOLGESCHÄDEN JEDLICHER ART, EINSCHLIESSLICH, ABER NICHT BESCHRÄNKT AUF ENTGANGENE GEWINNE ODER KOMMERZIELLE VERLUSTE, SOWEIT DIESE VERLUSTE ODER SCHÄDEN GESETZLICH AUSGESCHLOSSEN WERDEN KÖNNEN.**
11. Diese eingeschränkte Produktgarantie beeinflusst nicht die gesetzlichen Rechte des Kunden in der Rechtsprechung des Landes, in der das Produkt gekauft wurde. Diese Rechte bleiben geschützt. In einigen Ländern ist der Ausschluss oder die Beschränkung von zufälligen oder Folgeschäden oder die Beschränkung der stillschweigenden Garantien nicht zulässig. In diesen Fällen gilt die vorstehende Beschränkung der Ausschlüsse möglicherweise nicht für diese Kunden.

Garantieleistungen:

1. Bei normalen Einsatzbedingungen werden das Hauptgerät und die Komponenten des Produkts ein Jahr lang kostenlos nach dem Verkauf gewartet.
2. Bitte legen Sie bei der Inanspruchnahme einer Serviceleistung den Originalkaufbeleg oder die Quittung mit dieser Produktgarantie vor. Es kann eine Servicegebühr gemäß dieser Produktgarantie erhoben werden.

Bitte beachten Sie, dass die Dauer der eingeschränkten Produktgarantie, die Verfügbarkeit von Serviceleistungen und die Reaktionszeiten von Land zu Land unterschiedlich sein können und dass möglicherweise eine Registrierung im Land des Kaufs erforderlich ist. Wenn Sie Unterstützung in Bezug auf die Garantiebedingungen oder andere Anfragen benötigen, wenden Sie sich bitte an den ursprünglichen Einzelhändler oder an Xplova.

Webseite: <https://www.xplova.com>

TABLE DES MATIÈRES

Connaître votre NOZA V	1
Contenu de l'emballage	1
Présentation de l'apparence du produit.....	2
Instructions de l'assemblage	3
Assemblage du Xplova NOZA V	3
Installer la cassette	4
Monter votre vélo	6
Description des indicateurs du Xplova NOZA V	8
GDR de jeu de cyclisme	8
Programme d'entraînement et téléchargement des données cyclistes	8
Plus des fonctions incroyables	9
Caractéristiques	9
Précautions et règlements sur la sécurité.....	10
Précautions de sécurité avant utilisation.....	10
Avis.....	10
Avertissement.....	11
Maintenance et entretien	11
Canada, avis d'Industry Canada (ISED)	11
Informations concernant l'exposition aux fréquences radio (RF)	11
Politique de garantie limitée des produits Xplova	11

CONNAÎTRE VOTRE NOZA V

■ Contenu de l'emballage



Unité principale du vélo stationnaire
Xplova NOZA V



4x



1x

Stabilisateur



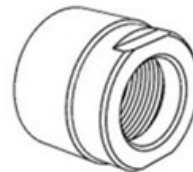
Kit de libération
rapide



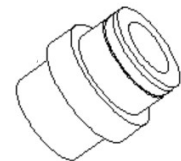
Adaptateur A –
pour libération
rapide
écrou de cassette



Adaptateur B –
pour libération
rapide
130mm/135mm



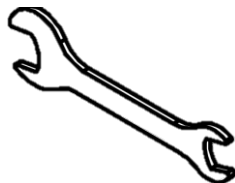
Adaptateur C –
pour axe
traversant
écrou de cassette



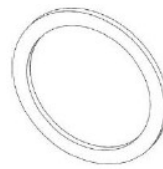
Adaptateur D –
pour axe
traversant
12x142/
12x148mm



Adaptateur E –
pour axe
traversant
12x148mm
Bague entretoise



Clé ouverte
13 / 17



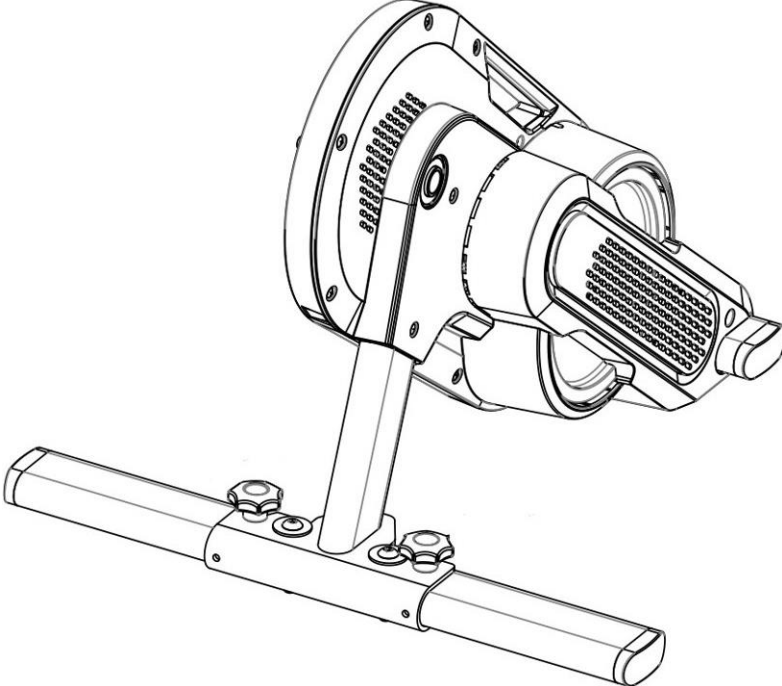
Rondelle de
cassette 1,8mm



Adaptateur secteur

Remarque : Les accessoires peuvent varier selon le pays ou la région.

■ Présentation de l'apparence du produit



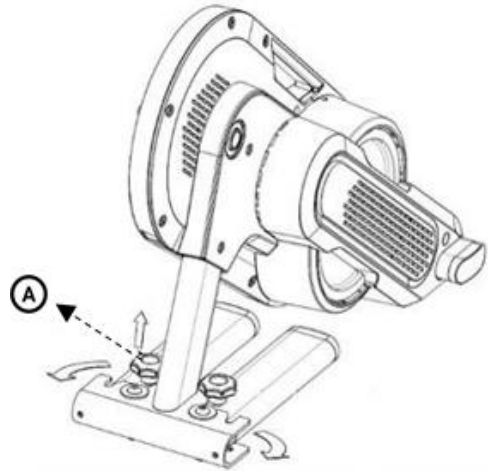
FR

INSTRUCTIONS DE L'ASSEMBLAGE

■ Assemblage du Xplova NOZA V

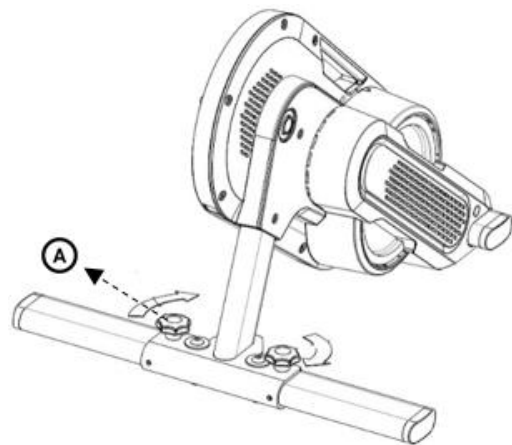
• Déplier le support

Placez le NOZA V sur un sol stable et tirez légèrement les boutons (A) vers le haut dans le sens de la flèche. Déployez les tubes inférieurs gauche et droit dans le sens de la flèche.



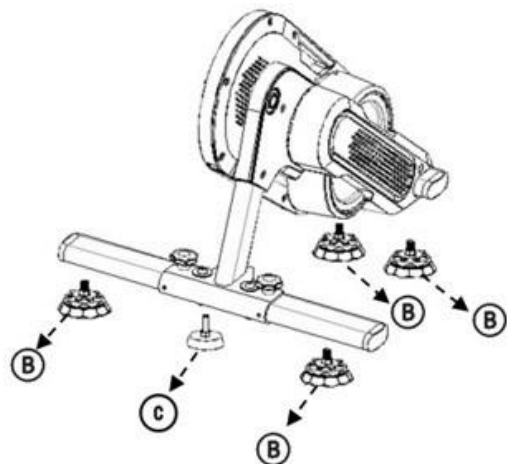
• Serrer les boutons

Serrez légèrement les boutons (A) dans le sens de la flèche pour verrouiller le tube inférieur gauche et droit.



• Installer les stabilisateurs

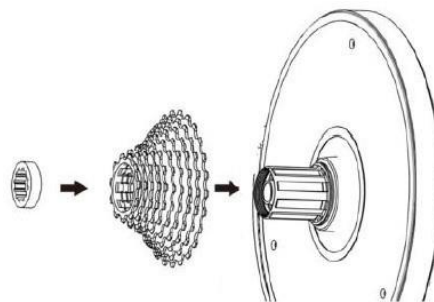
Vissez quatre stabilisateurs de support (B) et un stabilisateur de réglage (C) vers le haut en position. Réglez la hauteur des stabilisateurs en fonction des conditions du sol, de manière à ce que les quatre stabilisateurs de support (B) reposent fermement sur le sol.



■ Installer la cassette

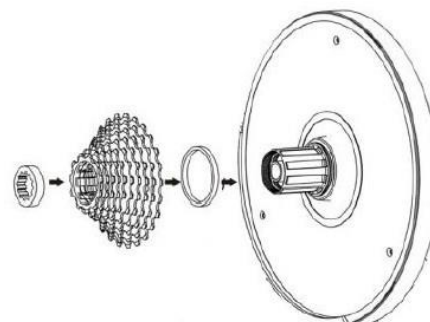
- **Installer une cassette compatible à 11 vitesses**

Installez manuellement la cassette sur le corps de la cassette et utilisez l'écrou de la cassette pour la fixer au corps de la cassette. Utilisez la douille de démontage de cassette pour la fixer fermement sur le corps de la cassette NOZA V (l'outil n'est pas inclus).



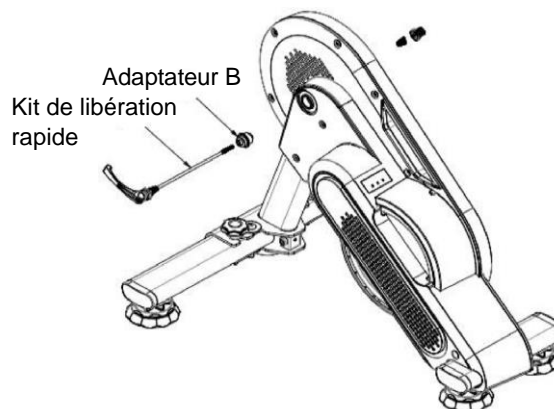
- **Installer une cassette à 9 ou 10 vitesses**

Avant d'installer une cassette à 9 ou 10 vitesses, vous devez d'abord placer la rondelle de cassette de 1,8mm sur le corps de la cassette, puis fixer fermement la cassette sur le corps de la cassette NOZA V, comme indiqué ci-dessus.

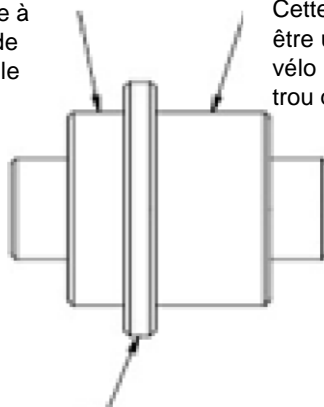


- **Installation du dégagement rapide de 130mm ou 135mm**

Lors de l'installation sur un cadre de vélo à dégagement rapide, vous devez utiliser l'adaptateur A, l'adaptateur B et le kit de libération rapide (ces trois accessoires sont inclus dans l'emballage). Veuillez consulter l'illustration à droite pour l'installation.



Cette extrémité est destinée à être utilisée avec le cadre de vélo 135W. À insérer dans le trou de l'essieu.

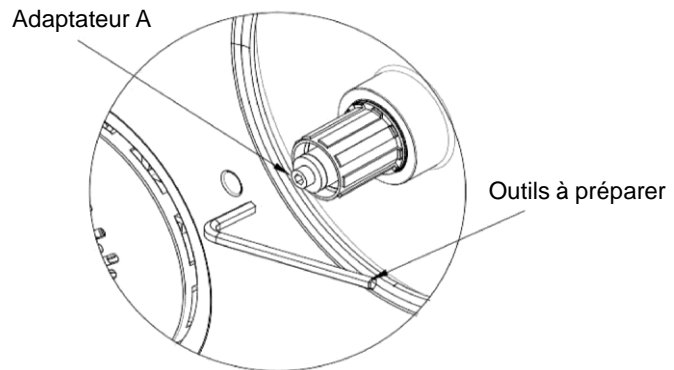
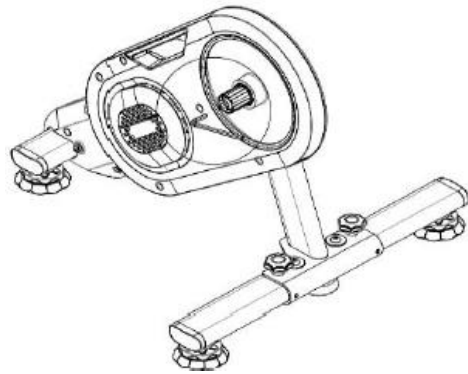


Adaptateur B

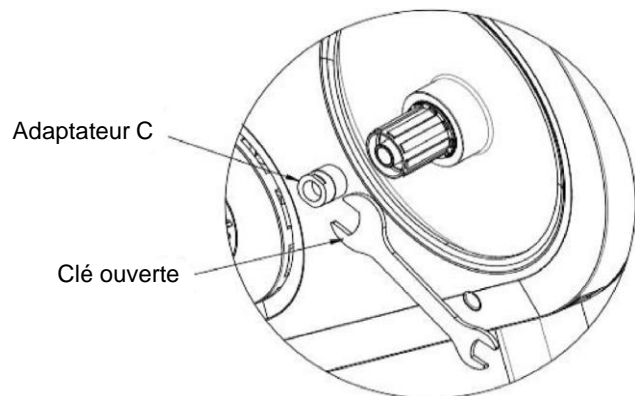
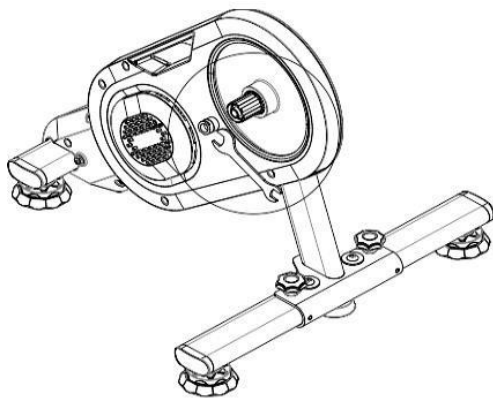
Cette extrémité est destinée à être utilisée avec le cadre de vélo 130W. À insérer dans le trou de l'essieu.

• **Installation de l'axe traversant de 142mm ou 148mm**

Lors de l'installation sur un cadre de vélo à axe traversant, vous devez utiliser les adaptateurs C et D (ces deux accessoires sont inclus dans l'emballage). Veuillez consulter l'illustration suivante pour l'installation.



Utilisez une clé hexagonale de 5mm pour retirer l'adaptateur A sur la droite dans le sens antihoraire.



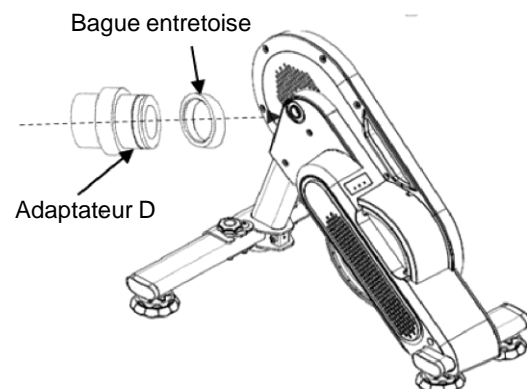
Utiliser la clé ouverte de la boîte à outils pour aligner l'extrémité de l'adaptateur C 142/148 et verrouiller l'embout dans le sens horaire. Ceci termine le remplacement de l'embout droit.

• **Installation de l'embout gauche 142/148**

Installez l'adaptateur D 142/148 (côté caoutchouc noir) et la bague entretoise (adaptateur E) dans le trou de l'essieu sur le corps principal.

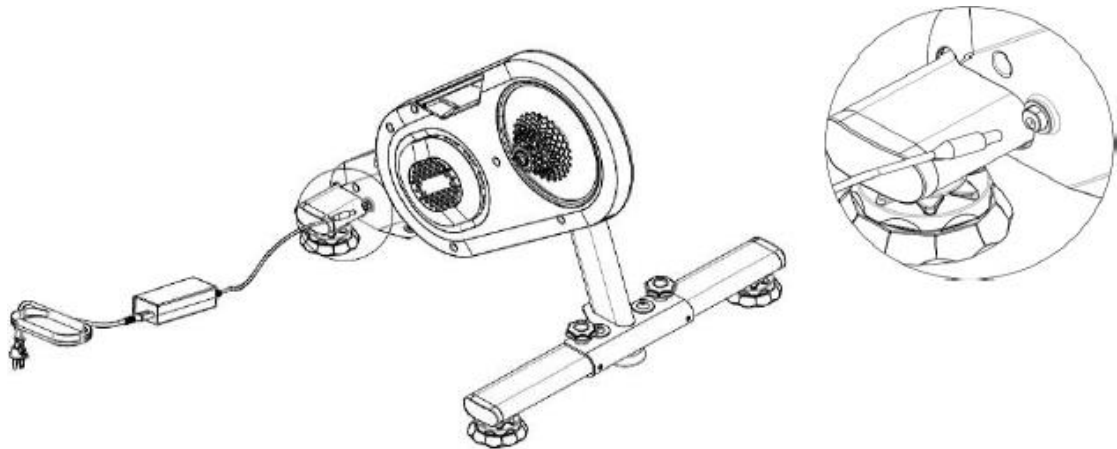
Pour le cadre de vélo 142W, installez sur le trou de l'essieu sans la bague entretoise.

Pour le cadre de vélo 148W, installez sur le trou de l'essieu avec la bague entretoise.



- **Installation de l'adaptateur secteur**

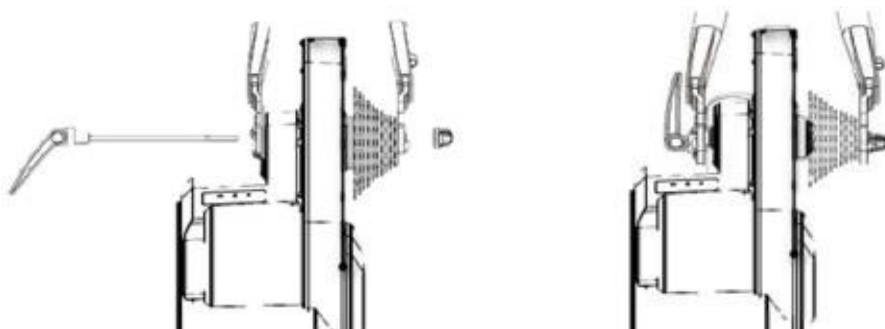
Branchez le cordon d'alimentation sur la prise CC située en bas du boîtier droit.



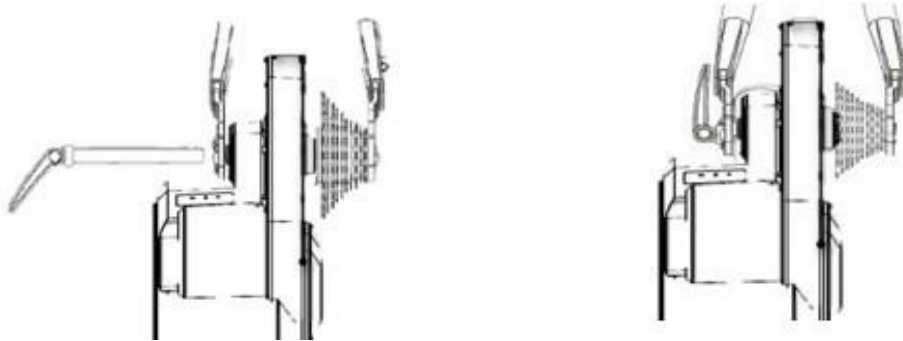
- **Monter votre vélo**

Placez la chaîne de votre vélo sur le plus petit pignon de la cassette, puis retirez la roue arrière. Alignez la chaîne du vélo avec le plus petit pignon de la cassette, puis mettez-la sur la chaîne et montez le vélo sur l'essieu du NOZA V pour que le vélo soit dans une position adaptée à la conduite.

Veillez utiliser le levier de dégagement rapide du vélo correctement et avec précaution. Lorsque l'arc du bras rotatif du levier de dégagement rapide est tourné vers l'extérieur, cela signifie que le levier est dans un état relâché. Faites tourner le bras rotatif du levier dans le sens horaire pour serrer le levier de dégagement rapide. Le bras rotatif du levier de dégagement rapide doit être placé de l'autre côté de la cassette du NOZA V.



Veillez consulter l'illustration suivante pour l'installation du vélo à axe traversant. Insérez l'axe traversant de l'autre côté de la cassette et serrez-le.



Attention :

1. Veillez serrer fermement le levier de dégagement rapide et l'axe traversant pour éviter tout dommage aux biens ou toute blessure. Si vous ne pouvez pas serrer le levier de dégagement rapide et l'axe traversant, veuillez contacter votre revendeur ou le service client de Xplova. Veuillez NE PAS essayer d'utiliser le NOZA V dans cette situation.
2. Lors du montage du vélo, veuillez lever sa roue avant et appuyez sur le cadre pour que le vélo soit fermement monté sur le NOZA V.

■ Description des indicateurs du Xplova NOZA V

Indicateur	Couleur	Description
Puissance	Ambre	Continu : démarrage
BLE	Bleu	Clignotant : connexion Continu : connexion réussie
ANT+	Vert	Clignotant : connexion Continu : connexion réussie

■ GDR de jeu de cyclisme

1. Veuillez télécharger des logiciels d'entraînement pour jeux de cyclisme sur PC/MAC ou Smartphone. Voici quelques jeux principaux :
 - ZWIFT : www.zwift.com
 - Rouvy : rouvy.com
 - Onelap : www.onelap.cn



2. Après l'installation du jeu et la configuration de la connexion avec NOZA V, seules les données de puissance et de vitesse seront affichées.
3. Une fois que vous montez le vélo, vous êtes prêt à commencer l'expérience d'entraînement.



■ Programme d'entraînement et téléchargement des données cyclistes

Utilisez l'appli Xplova Workout Plus pour contrôler le NOZA V et utiliser plusieurs programmes d'entraînement.

Si vous souhaitez effectuer une analyse plus détaillée, vous pouvez utiliser l'appli Xplova Workout Plus pour transférer sur le site Web à des fins d'analyse.

■ Plus des fonctions incroyables

Si vous voulez utiliser toutes les fonctions du NOZA V, nous vous recommandons d'installer l'appli Xplova Workout Plus sur votre Smartphone. L'appli Xplova Workout Plus peut vous permettre de :

- Afficher/stocker les dossiers d'entraînement
- Transférez les enregistrements sur différentes plateformes (telles que Xplova, Strava, TrainingPeak, etc.)

Accédez à Google Play ou à l'App Store pour rechercher « Xplova Workout Plus » afin de télécharger et d'installer l'appli. Si vous voulez mieux comprendre le produit, rendez-vous sur notre site officiel www.xplova.com et téléchargez le manuel d'utilisation.

■ Caractéristiques

Dimensions	615 x 598 x 505 mm
Précision	±2%
Puissance max. en sortie	2200 W
Poids du volant	3,4 kg
Inclinaison max. simulée	20%
Niveau sonore	58 dB
Entraînement	Nécessite l'achat/installation d'une nouvelle cassette : Compatible avec les cassettes Shimano et SRAM 8/9/10/11 vitesses
Connectivité	BLE FTMS et ANT+ FE-C
Spécifications électriques	100 - 240 V, 2,5 A, 50 Hz - 60 Hz
Dimensions de la boîte	700 x 280 x 580 mm

PRÉCAUTIONS ET RÈGLEMENTS SUR LA SÉCURITÉ

■ Précautions de sécurité avant utilisation

1. Lorsque le vélo stationnaire est actif, veuillez ne pas le toucher et gardez à l'écart les non-utilisateurs, les animaux ou les objets pour éviter tout danger.
2. Consultez votre coach avant de commencer tout programme d'entraînement.
3. Veuillez NE PAS mettre vos mains ou tout objet près des pièces en rotation du Xplova NOZA V.
4. Le volant ou la cassette du Xplova NOZA V peut chauffer après une utilisation prolongée. Veuillez NE PAS toucher le volant ou la cassette dans un court laps de temps.
5. Veuillez NE PAS essayer de démonter le vélo lorsque la cassette est en mouvement.
6. Lorsque vous utilisez le Xplova NOZA V, tenez vos enfants et animaux domestiques hors de portée pour éviter les blessures.
7. Le Xplova NOZA V ne peut être installé et utilisé que sur un sol ferme et plat.
8. Lorsque l'entraînement est en cours, veuillez conduire en toute sécurité.
9. Tenez à l'écart de l'eau.
10. Avant de vous entraîner, vérifiez si le vélo est correctement fixé au Xplova NOZA V.
11. Le Xplova NOZA V ne peut être utilisé qu'après son assemblage complet.
12. Lors de l'utilisation du Xplova NOZA V, vous ne pouvez utiliser que des accessoires certifiés par Xplova.

■ Avis

1. Xplova ne saurait être tenu pour responsable de l'utilisation par les utilisateurs de logiciels, d'applications et d'appareils d'autres sociétés qui entraînerait un dysfonctionnement du Xplova NOZA V.
2. Comme ANT+™ et Bluetooth s'excluent mutuellement, il est impossible pour le Xplova NOZA V d'envoyer des données simultanément via ANT+™ ou Bluetooth. En d'autres termes, lorsqu'un des protocoles est utilisé, le Xplova NOZA V arrêtera automatiquement l'autre protocole pour éviter tout risque de problème avec les programmes NOZA V.
3. Les appareils radio peuvent provoquer des interférences et peuvent changer ou empêcher complètement le fonctionnement normal du Xplova NOZA V. Par conséquent, lors d'un entraînement avec le NOZA V, il est conseillé de rester à l'écart des lignes électriques à haute tension, des feux de circulation, des lignes électriques ferroviaires, des bus ou des tramways.
4. Lorsque vous n'utilisez pas votre Xplova NOZA V, veuillez à ne pas l'exposer à la lumière directe du soleil pendant de longues périodes.

■ Avertissement

Attention ! Xplova ne saurait être tenu responsable des blessures temporaires ou permanentes causées à l'utilisateur par l'utilisation du Xplova NOZA V (directement ou indirectement).

■ Maintenance et entretien

1. Lors du nettoyage du vélo stationnaire, veuillez utiliser de l'huile de lubrification neutre. N'utilisez PAS de détergents corrosifs.
2. Ne lustrer PAS la surface du vélo stationnaire et ne percez PAS de trous. Des égratignures ou des trous percés conduiront à l'apparition de fissures.
3. Veuillez placer le vélo stationnaire à l'intérieur et gardez-le au sec pour éviter les dommages dus à l'humidité.

■ Canada, avis d'Industry Canada (ISED)

Cet appareil contient un ou des émetteurs/récepteurs exempts de licence conformes aux RSS exempts de licence d'Innovation, Sciences et Développement économique Canada. Le fonctionnement est soumis aux deux conditions suivantes :

1. Cet appareil ne doit pas causer d'interférences.
2. Cet appareil doit accepter toutes les interférences, y compris les interférences pouvant entraîner un fonctionnement indésirable de l'appareil.

CAN ICES-003(B) / NMB-003(B)

■ Informations concernant l'exposition aux fréquences radio (RF)

La puissance de sortie rayonnée de l'appareil sans fil est inférieure aux limites d'exposition aux radiofréquences d'Innovation, Sciences et Développement économique Canada (ISDE). L'Appareil sans fil doit être utilisé de telle manière que le potentiel de contact humain pendant le fonctionnement normal soit minimisé.

Cet appareil a également été évalué et démontré conforme aux limites d'exposition RF IC dans des conditions d'exposition mobile. (Les antennes sont à plus de 20 cm du corps d'une personne).

■ Politique de garantie limitée des produits Xplova

Cette garantie limitée s'applique aux produits Xplova, y compris tous les accessoires contenus dans la boîte cadeau d'origine de Xplova. Xplova garantit que les produits de ses distributeurs et revendeurs agréés seront conformes aux spécifications du produit et seront exempts de tous défauts matériels et de fabrication pendant la période de garantie limitée du produit, **un an** à compter de la date d'achat, si les produits sont utilisés et entretenus conformément au manuel d'utilisation et aux autres documents fournis à l'acheteur au moment de l'achat. Cette garantie limitée de produit est soumise aux termes et conditions suivants :

1. Pour obtenir le service de garantie, une preuve d'achat, un original ou une copie du reçu de vente du détaillant d'origine est requis.
2. Cette garantie limitée de produit est seulement valide et exécutoire dans le pays/ la région où le produit est vendu.
3. Cette garantie limitée du produit est à la seule option de Xplova pour réparer ou remplacer le produit défectueux pendant la période de garantie de produit limitée. Xplova ne remplacera pas les composants manquants d'un emballage acheté via des enchères en ligne.
4. Pour obtenir un service de garantie, contactez votre revendeur Xplova local ou Xplova pour les instructions d'expédition et un numéro RMA.
5. Cette garantie limitée couvre les frais d'inspection et de réparation du produit pendant la période de garantie limitée du produit. Le produit défectueux doit être livré par l'acheteur à ses propres frais aux locaux désignés avec la preuve d'achat et le numéro RMA.
6. Xplova renverra le produit réparé ou remplacé à la zone de dépôt pour que le client le récupère en bon état de fonctionnement. Tous les produits ou composants défectueux remplacés deviendront la propriété de Xplova.
7. Si Xplova répare ou remplace le produit, le produit réparé ou remplacé doit continuer à être garanti pendant la période restante de la période de garantie initiale ou pendant trois (3) mois à compter de la date de réparation ou de remplacement, selon la période la plus longue.
8. Xplova se réserve le droit d'ajouter, de supprimer ou de modifier les termes et conditions à tout moment sans préavis sur son site Web indiqué ci-dessous.
9. **CETTE GARANTIE LIMITÉE NE S'APPLIQUE PAS SI LES DOMMAGES ONT ÉTÉ CAUSÉS PAR UNE DES RAISONS SUIVANTES :**
 - A. Le numéro de série du produit a été supprimé, effacé, modifié, altéré ou est illisible.
 - B. Les dommages résultent de l'utilisation du produit d'une manière autre que sa manière normale et habituelle.
 - C. Détérioration du produit due à l'usure normale.
 - D. Les dommages résultent d'une installation incorrecte, d'une réparation non autorisée, d'une altération ou d'une modification de ce produit par des tiers autres que Xplova ou son représentant.
 - E. Les dommages résultent de l'utilisation de composants ou d'accessoires non autorisés ou fournis par Xplova ou utilisés à d'autres fins que celles prévues.
 - F. Les dommages résultent d'une exposition à des conditions anormalement corrosives ou d'un fonctionnement avec une chaleur ou une humidité extrême.
10. **XPLOVA NE SERA PAS RESPONSABLE DES PERTES OU DOMMAGES ACCESSOIRES OU CONSÉCUTIFS DE TOUTE NATURE, Y COMPRIS, MAIS SANS S'Y LIMITER, LES PERTES DE PROFITS OU LES PERTES COMMERCIALES, DANS LA MESURE OÙ CES PERTES OU DOMMAGES PEUVENT ÊTRE REJETÉS PAR LA LOI.**
11. Cette garantie limitée du produit n'affecte pas les droits statutaires du client dans cadre de la loi spécifique au pays d'achat, ces droits restent protégés. Certains pays n'autorisent pas l'exclusion ou la limitation des pertes ou dommages accessoires ou consécutifs, ou la limitation des garanties implicites, dans ces

circonstances, la limitation des exclusions précédente peut ne pas s'appliquer à ces clients.

Couverture de la garantie :

1. Dans des conditions normales d'utilisation, l'unité principale et les composants du produit bénéficient gratuitement d'un an de services de service après-vente.
2. Veuillez présenter l'autorisation d'achat ou le reçu d'origine avec cette garantie produit lors de la demande de service. Des frais de service peuvent être facturés conformément à la présente garantie produit.

Veuillez noter que la période de garantie limitée du produit, la disponibilité du service et les délais de réponse peuvent varier d'un pays à l'autre et peuvent également être soumis à une obligation d'enregistrement dans le pays d'achat. Si vous avez besoin d'aide concernant les conditions de garantie, ou pour toute autre question, veuillez contacter le détaillant d'origine ou Xplova.

Site Web : <https://www.xplova.com>

INHOUD

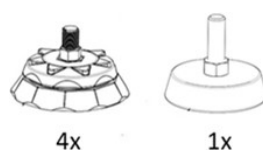
De NOZA V leren kennen	1
Pakketinhoud.....	1
Introductie en overzicht van product.....	2
Montage-instructies	3
De Xplova NOZA V monteren.....	3
De cassette bevestigen.....	4
De fiets monteren.....	6
Beschrijvingen van Xplova NOZA V-indicatoren	8
Fietsgame - snelstartgids	8
Trainingsprogramma en ritgegevens uploaden	8
Meer prachtige functies.....	9
Specificaties.....	9
Veiligheidsmaatregelen en -reguleringen	10
Veiligheidsmaatregelen voor gebruik	10
Verklaringen.....	10
Disclaimer	11
Onderhoud en reiniging	11
Het beleid inzake beperkte productgarantie van Xplova	11

DE NOZA V LEREN KENNEN

■ Pakketinhoud



Hoofdeenheid van de Xplova NOZA V fietstrainer



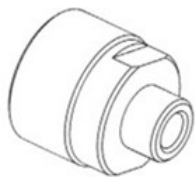
4x

1x

Stabilisator



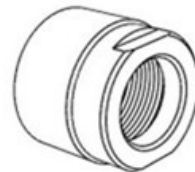
Snelspanner



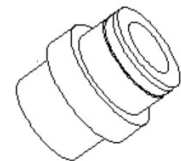
Adapter A –
voor snelspanner
cassettesluitring



Adapter B –
voor snelspanner
130mm/135mm



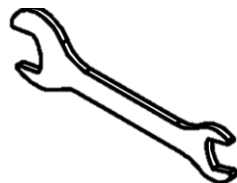
Adapter C –
voor steekas
cassettesluitring



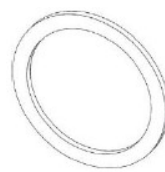
Adapter D –
voor steekas
12x142/
12x148mm



Adapter E –
voor steekas
12x148mm
Afstandshouder



Steeksleutel
13 / 17



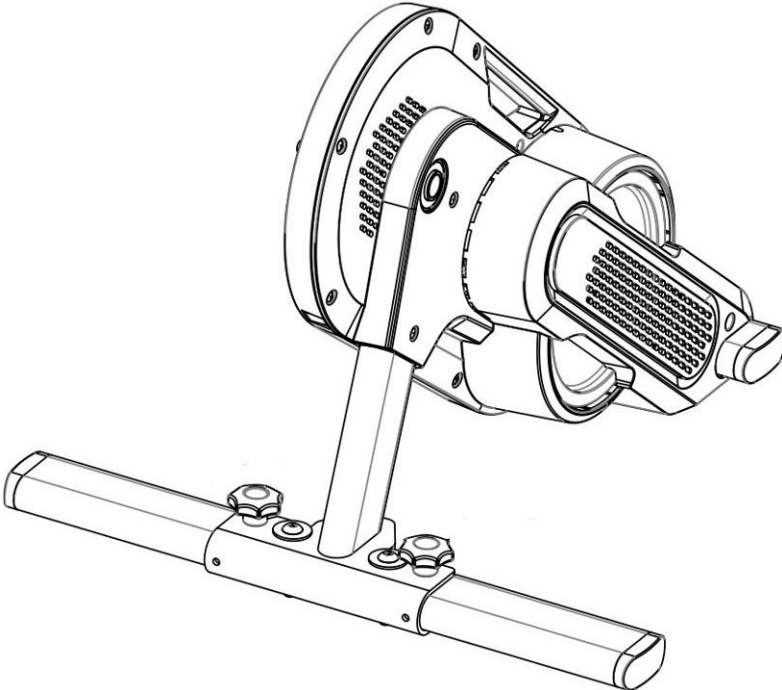
1,8mm
cassettevulring



Stroomadapter

Opmerking: accessoires kunnen per land of regio variëren.

■ **Introductie en overzicht van product**



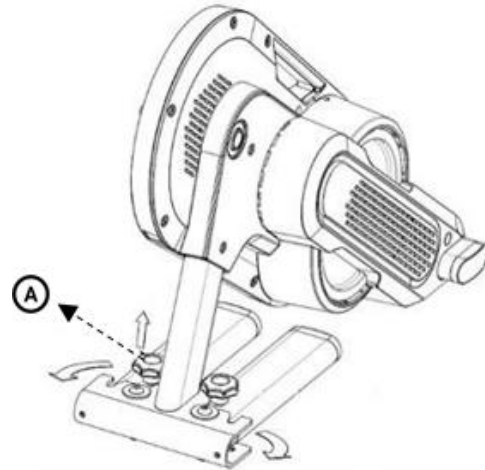
NL

MONTAGE-INSTRUCTIES

■ De Xplova NOZA V monteren

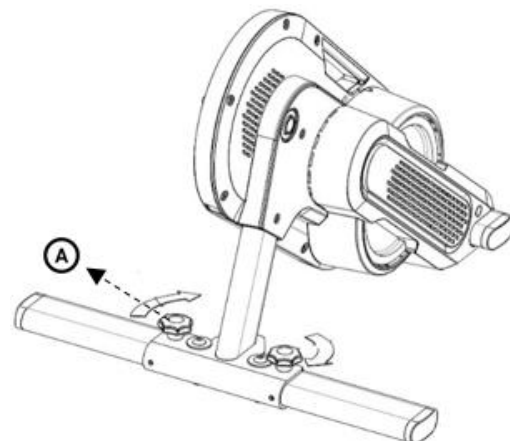
• Steun uitklappen

Plaats de NOZA V op een stabiele vloer en trek de knoppen ① ietwat omhoog in de richting van de pijl. Trek de buizen aan de linker- en rechterzijde aan de onderkant in de richting van de pijl.



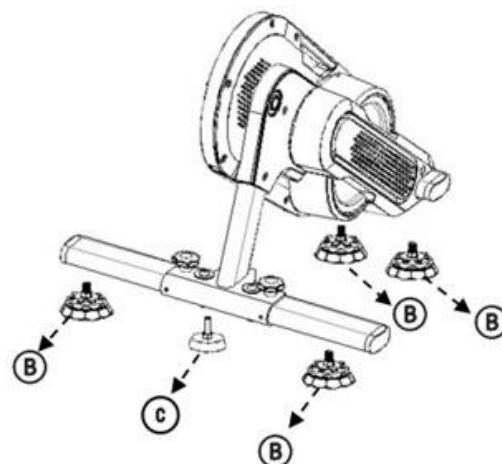
• Knoppen vastdraaien

Draai de knoppen ① ietwat vast in de richting van de pijl om de linker- en rechterbuis vast te zetten.



• Stabilisatoren monteren

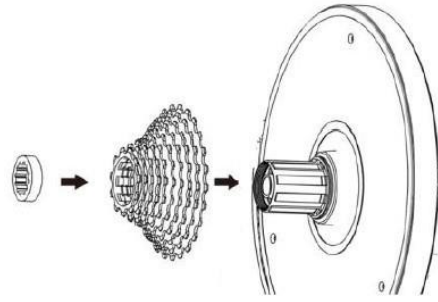
Schroef vier steunstabilisatoren ② en één verstelstabilisator ③ omhoog in positie. Pas de hoogte van de stabilisatoren aan op basis van de vloer, zodat de vier steunstabilisatoren ② stevig op de vloer staan.



■ De cassette bevestigen

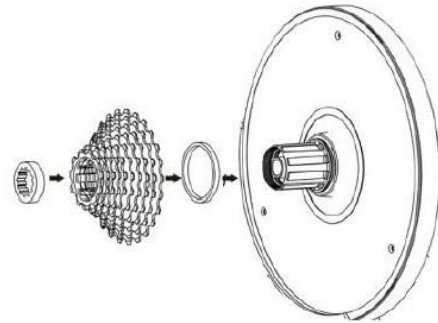
- Een compatibele cassette van 11 versnellingen bevestigen

Bevestig de cassette handmatig op de cassettebehuizing en schroef deze met de cassettemoer vast. Gebruik de cassette-afnemer om deze stevig op de cassettebody van de NOZA V te bevestigen (dit gereedschap is niet bijgesloten).



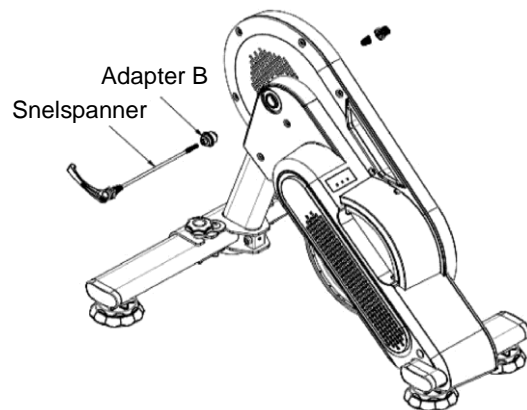
- Een cassette van 9 of 10 versnellingen bevestigen

Voordat u een cassette van 9 of 10 versnellingen bevestigt, plaatst u eerst de cassettevulring van 1,8mm op de cassettebody en vervolgens bevestigt u de cassette stevig op de cassettebody van de NOZA V zoals hierboven is beschreven.



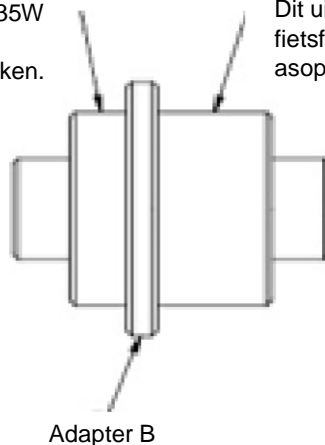
- Installatie met snelspanner van 130mm of 135mm

Als u installeert op een fietsframe met een snelspanner, gebruikt u adapter A, adapter B en de snelspanner (deze drie accessoires zitten in de verpakking). Zie de illustratie rechts voor de installatie.



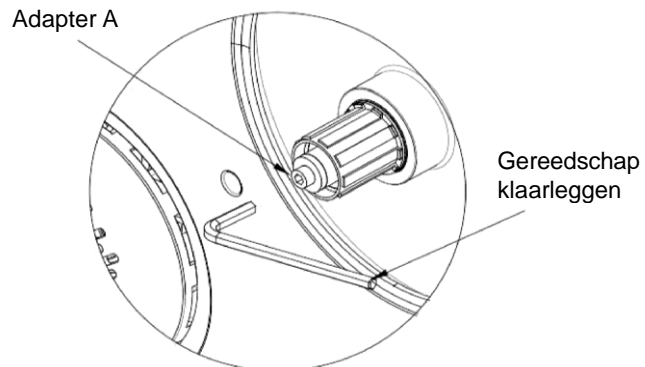
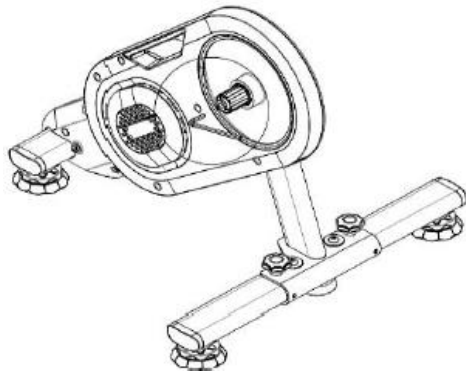
Dit uiteinde is voor het 135W fietsframe. Moet in de asopening worden gestoken.

Dit uiteinde is voor het 130W fietsframe. Moet in de asopening worden gestoken.

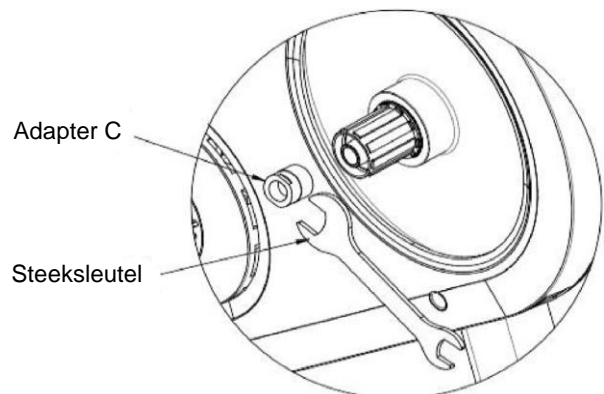
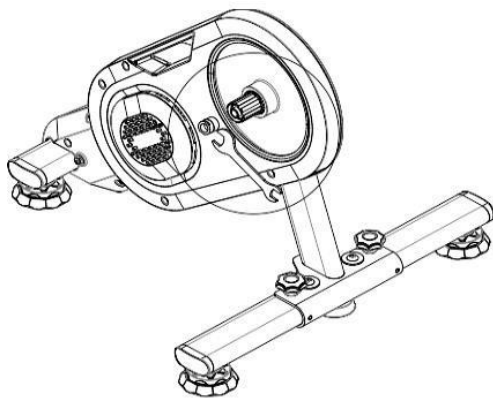


- **Installatie met steekas van 142mm of 148mm**

Als u installeert op een fietsframe met een steekas, gebruikt u de adapters C en D (deze twee accessoires zitten in de verpakking). Raadpleeg de volgende afbeeldingen voor de installatie.



Gebruik een inbussleutel van 5mm om adapter A rechts linksom te verwijderen.



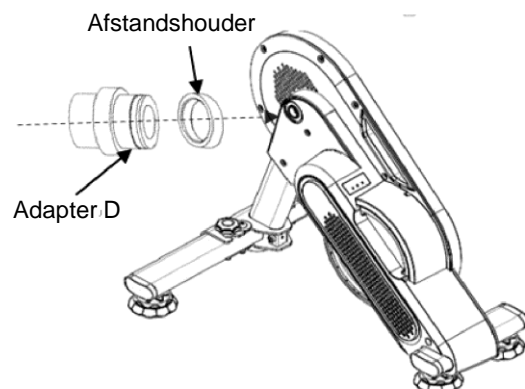
Gebruik de steeksleutel uit de gereedschapset om het uiteinde van de 142/148 adapter C uit te lijnen en zet de eindkap rechtsom vast. Dit voltooit het vervangen van de rechter eindkap.

- **Montage van 142/148 linker eindkap**

Monteer 142/148 adapter D (zwarte rubberen zijde) en afstandshouder (adapter E) in de asopening op het hoofdgedeelte.

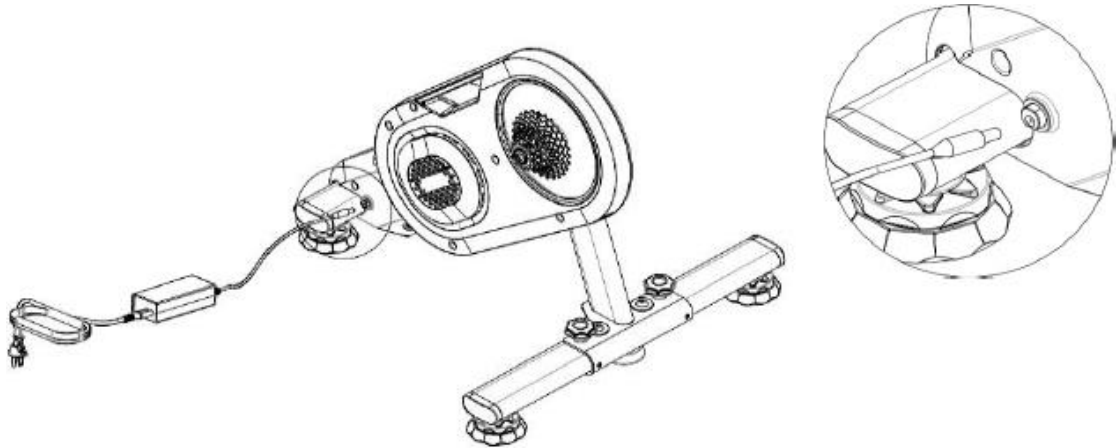
Voor een 142W fietsframe monteert u op de asopening zonder de afstandshouder.

Voor een 148W fietsframe monteert u op de asopening met de afstandshouder.



- **Montage van stroomadapter**

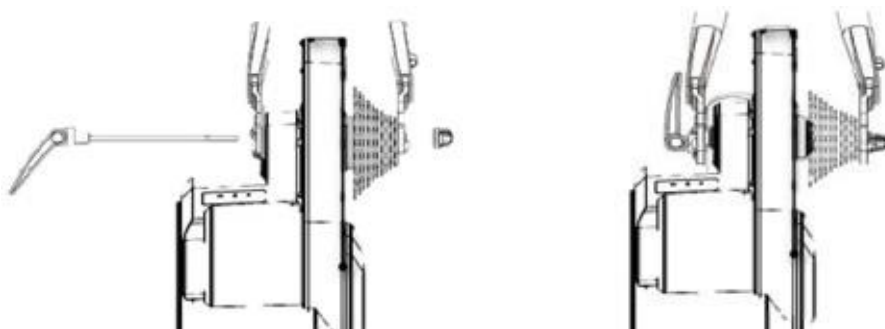
Steek het netsnoer in de DC-aansluiting aan de onderzijde van de rechter behuizing.



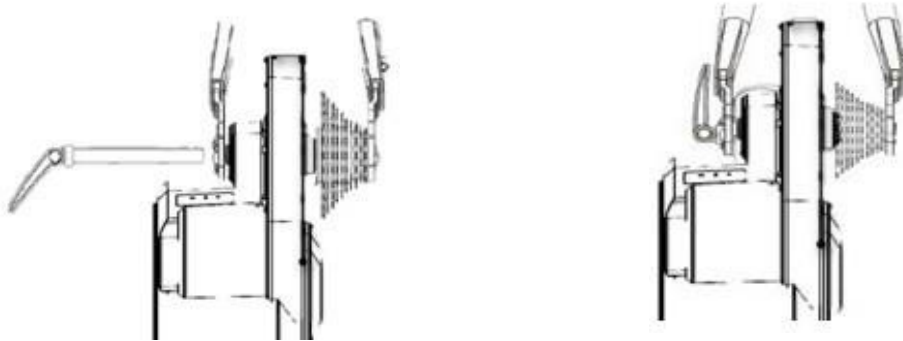
- **De fiets monteren**

Schakel de ketting op de fiets naar het kleinste tandwiel van de cassette en verwijder vervolgens het achterwiel. Richt de fietsketting op het kleinste tandwiel van de cassette en plaats de ketting en plaats de fiets op de as van de NOZA V zodat de fiets in een geschikte positie komt om te kunnen fietsen.

Wees voorzichtig als u de snelspanner gebruikt. Als de boog van de draaivleugel van de snelspanner naar buiten steekt, betekent dit dat vleugel is geopend. Draai de vleugel van de snelspanner rechtsom om deze vast te draaien. De draaivleugel van de snelspanner moet aan de tegenoverliggende zijde van de cassette van de NOZA V worden geplaatst.



Raadpleeg de volgende afbeelding voor de installatie op een fiets met steekas. Breng de steekas in vanaf de tegenoverliggende zijde van de cassette en draai de as vast.



Let op:

1. Draai de snelspanner en de steekas stevig vast zodat geen schade of letsel kan ontstaan. Als u de snelspanner of steekas niet kunt vastdraaien, neemt u contact op met de verkoper of de klantenservice van Xplova. In deze situatie mag u de NOZA V NIET gebruiken.
2. Als u de fiets plaatst, tilt u het voorwiel op en drukt u het frame omlaag om de fiets stevig op de NOZA V te plaatsen.

■ Beschrijvingen van Xplova NOZA V-indicatoren

Indicator	Kleur	Beschrijving
Power	Oranje	Constant: bezig met opstarten
BLE	Blauw	Knippert: bezig met verbinden Constant: verbinding gelukt
ANT+	Groen	Knippert: bezig met verbinden Constant: verbinding gelukt

■ Fietsgame - snelstartgids

1. Download trainingssoftware in de vorm van een fietsgame naar de pc, MAC of smartphone. Enkele games zijn:
 - Zwift: www.zwift.com
 - Rouvy: rouvy.com
 - Onelap: www.onelap.cn



2. Na het installeren van de game en verbinding met NOZA V worden alleen informatie over aan/uit en snelheid weergegeven.
3. Zodra de fiets is gemonteerd, kunt u de trainingsgame starten.



■ Trainingsprogramma en ritgegevens uploaden

Gebruik de Xplova Workout Plus-app om de NOZA V te bedienen en diverse trainingsprogramma's te gebruiken.

Als u een gedetailleerdere analyse wilt uitvoeren, gebruikt u de Xplova Workout Plus-app om de rit naar de website te uploaden voor een analyse.

■ Meer prachtige functies

Als u alle functies van de NOZA V wilt beleven, raden we aan dat u de Xplova Workout Plus-app op uw smartphone installeert. Met de Xplova Workout Plus-app kunt u:

- trainingsregistraties weergeven/opslaan
- registraties uploaden naar verschillende platforms (zoals Xplova, Strava, TrainingPeak en dergelijke)

Ga naar Google Play of de App Store en zoek "Xplova Workout Plus" om de app te downloaden en installeren. Als u meer informatie wilt over het product, ga dan naar onze officiële website op www.xplova.com en download de gebruikershandleiding.

■ Specificaties

Afmetingen	615 x 598 x 505 mm
Nauwkeurigheid	±2%
Max uitvoervermogen	2200 W
Gewicht van vliegwiel	3,4 kg
Max gesimuleerde stijging	20%
Geluidsniveau	58 dB
Versnellingen	Vereist aankoop/installatie van nieuwe cassette: Compatibel met Shimano en SRAM 8/9/10/11 versnellingscassette
Verbindingen	BLE FTMS & ANT+ FE-C
Elektrische vereisten	100 - 240 V, 2,5 A, 50 Hz - 60 Hz
Afmetingen verpakking	700 x 280 x 580 mm

VEILIGHEIDSMATREGELEN EN - REGULERINGEN

■ Veiligheidsmaatregelen voor gebruik

1. Als de fietstrainer is geactiveerd, raakt u deze niet aan en houd mensen die de trainer niet gebruiken, dieren en voorwerpen uit de buurt om gevaarlijke situaties te vermijden.
2. Raadpleeg uw trainer voordat u aan trainingsprogramma's begint.
3. Plaats NOOIT een hand of voorwerp in de buurt van draaiende onderdelen van de Xplova NOZA V.
4. Het vliegwiel/cassette van de Xplova NOZA V kan zeer warm worden na de langdurig gebruik. Raak het vliegwiel/cassette NIET aan.
5. Demonteer de fiets NIET als de cassette draait.
6. Houd kinderen en huisdieren uit de buurt als u de Xplova NOZA V gebruikt om letsel te voorkomen.
7. De Xplova NOZA V mag uitsluitend worden geïnstalleerd en gebruikt op een stevige, platte ondergrond.
8. Fiets veilig als u traint.
9. Uit de buurt van water houden.
10. Controleer voor de training of de fiets stevig op de Xplova NOZA V is bevestigd.
11. De Xplova NOZA V kan alleen worden gebruikt als deze volledig is gemonteerd.
12. Als u de Xplova NOZA V gebruikt, mag u uitsluitend accessoires gebruiken die door Xplova zijn gecertificeerd.

■ Verklaringen

1. Xplova kan niet aansprakelijk worden gehouden door gebruikers die software, toepassingen en apparaten van andere bedrijven gebruiken wat resulteert in een storing van de Xplova NOZA V.
2. Omdat ANT+™ en Bluetooth elkaar wederzijds uitsluiten, is het niet mogelijk dat de Xplova NOZA V gelijktijdig gegevens stuurt via ANT+™ en Bluetooth, dus als een van de protocollen wordt gebruikt, stopt de Xplova NOZA V automatisch het andere protocol om de mogelijkheid van het onjuist functioneren van NOZA V-programma's te vermijden.
3. Radioapparatuur kan storing veroorzaken en ervoor zorgen dat de Xplova NOZA V tijdelijk of helemaal de niet meer normaal functioneert. Als u traint met de NOZA V, wordt daarom geadviseerd dat u uit de buurt blijft van hoogspanningslijnen, verkeerssignalen, bovenleidingen vna treinen, bussen of trams.
4. Als de Xplova NOZA V niet wordt gebruikt, zorgt u dat deze niet gedurende langere tijd wordt blootgesteld aan direct zonlicht.

■ Disclaimer

Let op! Xplova kan niet verantwoordelijk worden gehouden voor tijdelijk of permanent letsel van de gebruiker als gevolg van het gebruik van de Xplova NOZA V (direct of indirect).

■ Onderhoud en reiniging

1. Gebruik een neutrale smeerolie als u de fietstrainer reinigt. Gebruik **NOOIT** bijtende schoonmaakmiddelen.
2. U mag **NOOIT** het oppervlak van de fietstrainer verschroeien of gaten erin boren. Krassen of geboorde gaten leiden tot scheurvorming.
3. Plaats de fietstrainer binnenshuis en houd deze droog om schade door vocht te voorkomen.

■ Het beleid inzake beperkte productgarantie van Xplova

Deze beperkte productgarantie geldt voor de Xplova-producten, inclusief alle accessoires die zijn geleverd, zoals wordt beschreven in de gebruikershandleiding van de originele Xplova-verpakking. Xplova garandeert dat producten van haar erkende distributeurs en detailhandelaren voldoen aan de toepasselijke productspecificaties en vrij zijn van alle materiaal- en fabricagefouten gedurende de beperkte productgarantieperiode, **één jaar** vanaf de datum van oorspronkelijke aankoop, indien de producten worden gebruikt en onderhouden in overeenstemming met de gebruikershandleiding en andere documentatie die aan de koper worden verstrekt op het moment van aankoop. Deze beperkte productgarantie is onderhevig aan de volgende voorwaarden en bepalingen:

1. Om in aanmerking te komen voor garantieservice is een aankoopbewijs (origineel of kopie van de aankoopbon van de oorspronkelijke verkoper) vereist.
2. Deze beperkte productgarantie is alleen geldig en afdwingbaar in landen/regio's waar het product wordt verkocht.
3. Volgens deze beperkte productgarantie kan Xplova naar eigen inzicht het defecte product tijdens de beperkte productgarantieperiode repareren of vervangen. Xplova vervangt geen ontbrekende componenten van verpakkingen die via online veilingen zijn gekocht.
4. Om in aanmerking te komen voor garantieservice neemt u contact op met de plaatselijke door Xplova geautoriseerde verkoper of met Xplova voor instructies over de verzending en voor een RMA-nummer.
5. Deze beperkte productgarantie dekt kosten voor het inspecteren en repareren van het product tijdens de beperkte productgarantieperiode. Het defecte product moet door de koper voor eigen kosten naar de aangegeven locatie worden verzonden, samen met het aankoopbewijs en het RMA-nummer.
6. Xplova zal het product repareren of in goede werktoestand retourneren naar het ophaalpunt waar de klant deze kan ophalen. Alle vervangen beschadigde producten of onderdelen worden het eigendom van Xplova.

7. Als Xplova het product repareert of vervangt, valt het gerepareerde of vervangen product onder de resterende garantieperiode of gedurende (3) maanden vanaf de datum van reparatie of vervanging, de langstdurende geldt.
8. Xplova behoudt het recht om deze voorwaarden en bepalingen op elk moment en zonder voorafgaande kennisgeving op de hieronder aangegeven website aan te vullen, te verwijderen of te wijzigen.
9. **DEZE BEPERKTE GARANTIE IS NIET VAN TOEPASSING ALS DE BESCHADIGING IS VEROORZAAKT DOOR ÉÉN VAN ONDERSTAANDE EN IN DE VOLGENDE SITUATIES:**
 - A. Het serienummer van het product is verwijderd, gewist, beschadigd, aangepast of onleesbaar.
 - B. De schade is als gevolg van het gebruik van het product op een andere wijze dan normaal of gebruikelijk is.
 - C. Defect van het product als gevolg van normale slijtage.
 - D. De schade is als gevolg van onjuiste montage, ongeoorloofde reparatie, wijziging of modificatie van het product door derden of andere personen dan die door Xplova daartoe zijn aangewezen.
 - E. De schade is als gevolg van het gebruik van componenten of accessoires die niet officieel zijn goedgekeurd of geleverd door Xplova of zijn anders dan bedoeld, gebruikt.
 - F. De schade is als gevolg van blootstelling aan buitengewoon corrosieve omstandigheden met extreme hitte of vochtigheid.
- 10 **XPLOVA ZAL NIET AANSPRAKELIJK ZIJN VOOR INCIDENTELE VERLIEZEN OF GEVOLGSCHADE VAN WELKE AARD DAN OOK, MET INBEGRIIP VAN MAAR NIET BEPERKT TOT WINSTDERIVING OF COMMERCIEEL VERLIES, VOOR ZOVER DEZE VERLIEZEN OF SCHADE DOOR DE WET KUNNEN WORDEN UITGESLOTEN.**
11. Deze beperkte productgarantie heeft geen invloed op de wettelijke rechten van de klant die specifiek zijn voor het land van aankoop, dergelijke rechten blijven beschermd. In sommige landen is de uitsluiting of beperking van incidentele of gevolgschade of schade, of de beperking van de impliciete garanties niet toegestaan; in die omstandigheden is het mogelijk dat de voorgaande beperking van uitsluitingen niet van toepassing is op die klanten.

Garantiedekking:

1. Bij normaal gebruik geldt voor de hoofdeenheid en de componenten van het product een gratis after-sales onderhoudsservice van één jaar.
2. Gelieve de originele aankoopbon of het ontvangstbewijs samen met deze productgarantie voor te leggen bij het aanvragen van een onderhoudsbeurt. Het servicetarief kan overeenkomstig deze productgarantie in kosten worden gebracht.

Houd er rekening mee dat de beperkte productgarantieperiode en de beschikbaarheid van service en responstijden van land tot land kunnen verschillen en dat in het land van aankoop registratie vereist kan zijn. Indien u hulp nodig hebt met betrekking tot garantievoorwaarden of andere vragen hebt, neem dan contact op met de oorspronkelijke winkelier of Xplova.

Website: <https://www.xplova.com>

CONTENIDO

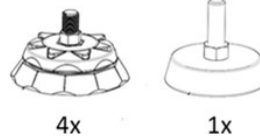
Conozca su NOZA V	1
Contenido de la caja.....	1
Introducción al aspecto del producto	2
Instrucciones de montaje.....	3
Montaje del Xplova NOZA V	3
Colocación del cassette	4
Montaje de la bicicleta.....	6
Descripciones del indicador del Xplova NOZA V.....	8
Guía de inicio rápido de los juegos de ciclismo	8
Programa de entrenamiento y carga de los datos del entrenamiento.....	8
Más funciones sorprendentes.....	9
Especificaciones	9
Precauciones de seguridad y normativas	10
Precauciones de seguridad antes del uso.....	10
Avisos	10
Descargo de responsabilidad	11
Mantenimiento y cuidado.....	11
Política de garantía limitada de los productos de Xplova.....	11

CONOZCA SU NOZA V

■ Contenido de la caja



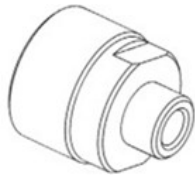
Unidad principal del rodillo de entrenamiento para bicicleta Xplova NOZA V



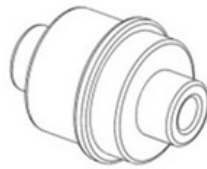
4x Estabilizador
1x



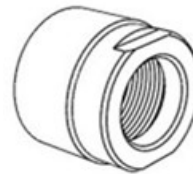
Kit de cierre rápido



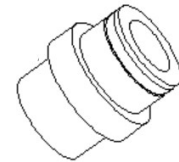
Adaptador A – para el cierre rápido del cierre rápido



Adaptador B – para el cierre rápido de 130mm/135mm



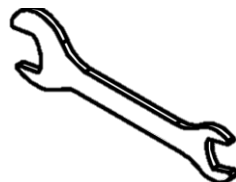
Adaptador C – para el eje pasante del cierre rápido



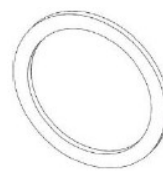
Adaptador D – para el eje pasante de 12x142/12x148mm



Adaptador E – para el eje pasante de 12x148mm Anillo separador



Llave de boca fija 13 / 17



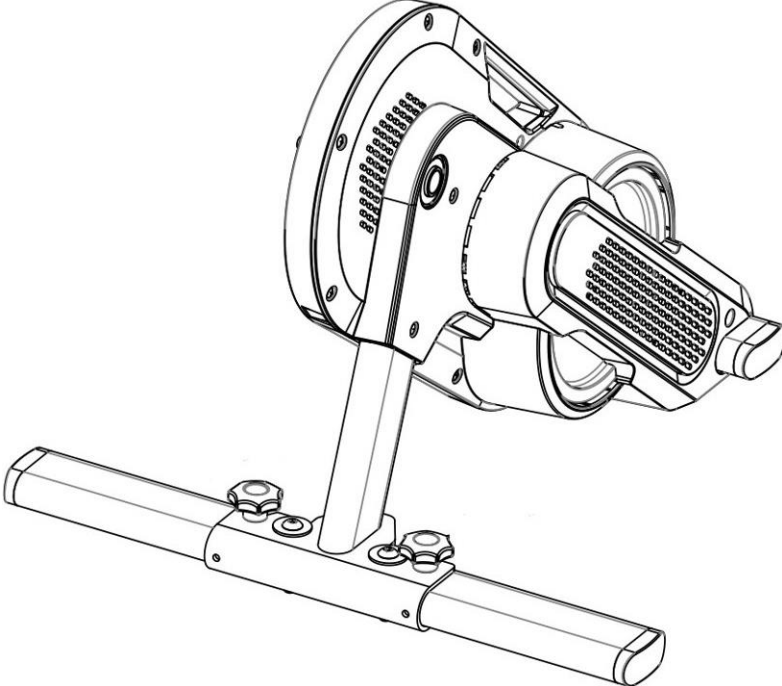
Arandela del cassette de 1,8mm



Adaptador de corriente

Nota: Los accesorios pueden variar según el país o la región.

■ **Introducción al aspecto del producto**



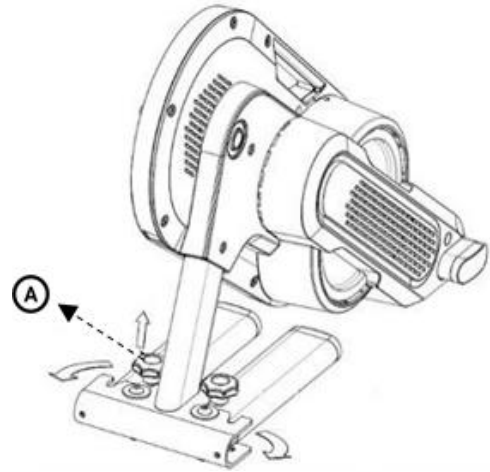
ES

INSTRUCCIONES DE MONTAJE

■ Montaje del Xplova NOZA V

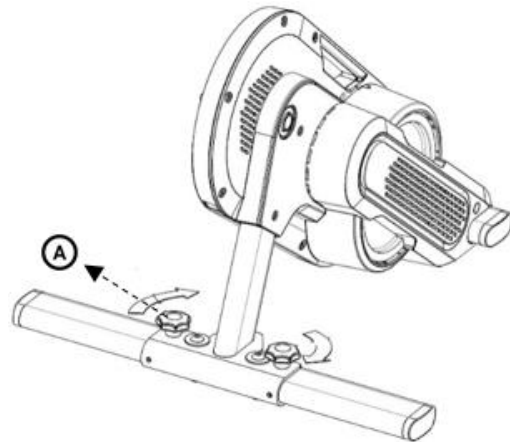
• Despliegue el soporte

Coloque el NOZA V sobre un terreno estable y tire de las perillas (A) ligeramente hacia arriba en la dirección de la flecha. Despliegue el tubo inferior izquierdo y derecho en la dirección de la flecha.



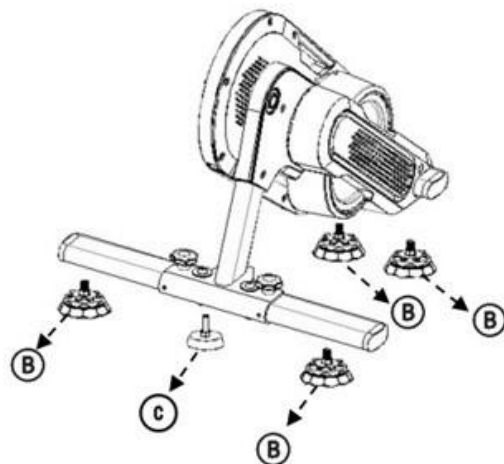
• Apretar las perillas

Apriete las perillas (A) ligeramente en dirección de la flecha para bloquear los tubos inferiores izquierdo y derecho.



• Instalar los estabilizadores

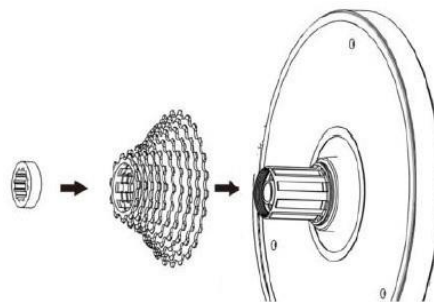
Atornille los cuatro estabilizadores de apoyo (B) y un estabilizador de ajuste (C) hacia arriba en posición. Ajuste la altura de los estabilizadores según las condiciones del terreno, de forma que los cuatro estabilizadores de apoyo (B) se apoyen sobre el terreno con firmeza.



■ Colocación del cassette

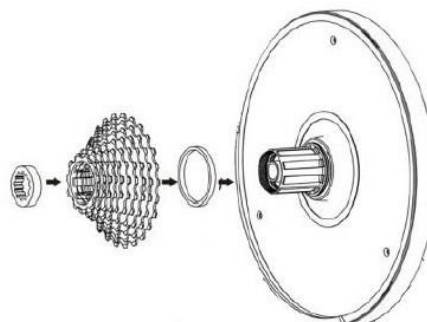
- **Colocación de un cassette de 11 velocidades compatible**

Coloque el cassette en el cuerpo del cassette manualmente y use la tuerca del cassette para fijarlo al cuerpo del cassette. Use la llave de extracción del cassette para apretar y fijarlo al cuerpo del cassette del NOZA V (la herramienta no está incluida).



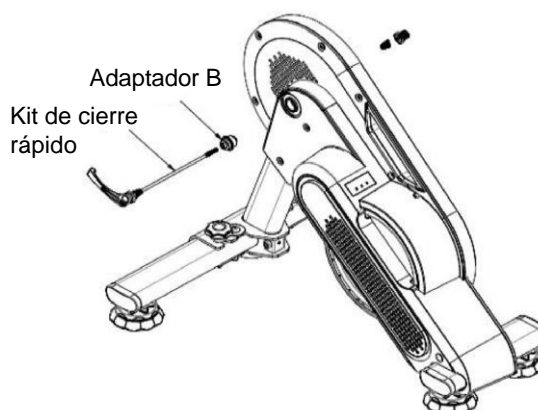
- **Colocación de un cassette de 9 o 10 velocidades**

Antes de colocar un cassette de 9 o 10 velocidades, debe colocar la arandela del cassette de 1,8mm en el cuerpo del cassette y, a continuación, apretar para fijar el cassette al cuerpo del cassette del NOZA V como se ha mencionado.



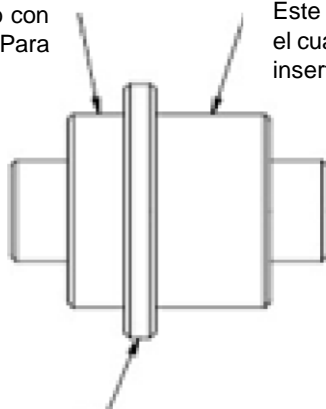
- **Instalación del cierre rápido de 130mm o 135mm**

Para realizar la instalación en un cuadro de bicicleta de cierre rápido, debe usar el adaptador A, el adaptador B y el kit de cierre rápido (estos tres accesorios están incluidos en la caja). Consulte la Ilustración de la derecha para realizar la instalación.



Este extremo es para su uso con el cuadro de bicicleta 135W. Para insertar en el orificio del eje.

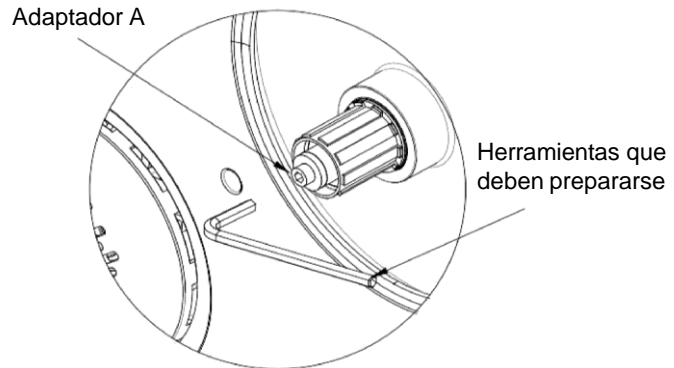
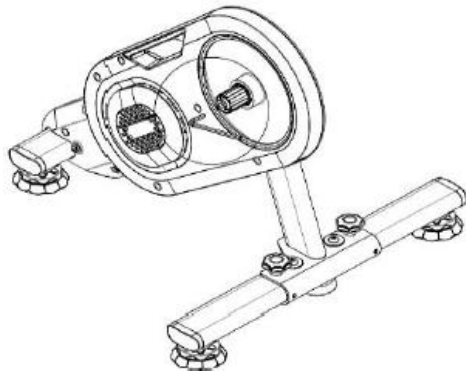
Este extremo es para su uso con el cuadro de bicicleta 130W. Para insertar en el orificio del eje.



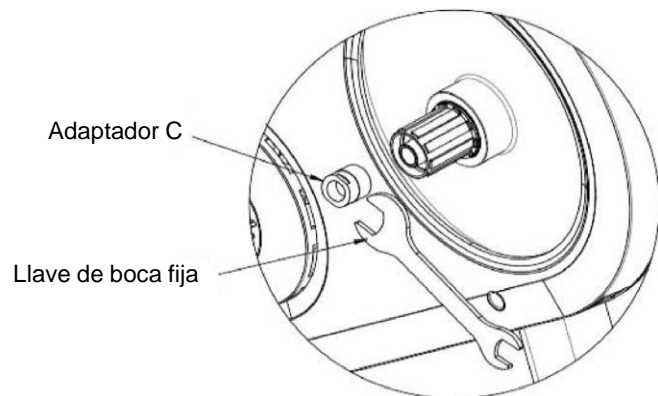
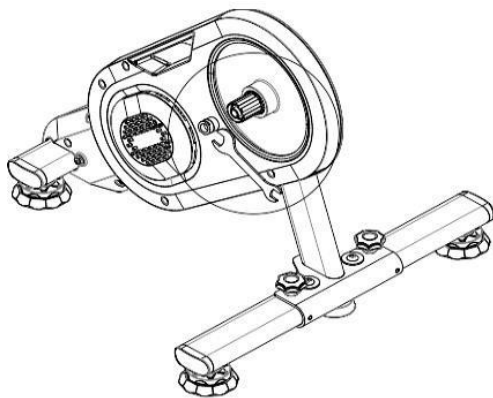
Adaptador B

• **Instalación del eje pasante de 142mm o 148mm**

Para realizar la instalación en un cuadro de bicicleta de eje pasante, debe usar los adaptadores C y D (los dos accesorios están incluidos en la caja). Consulte las siguientes ilustraciones para la instalación.



Use una llave hexagonal de 5mm para quitar el adaptador A de la derecha hacia la izquierda.



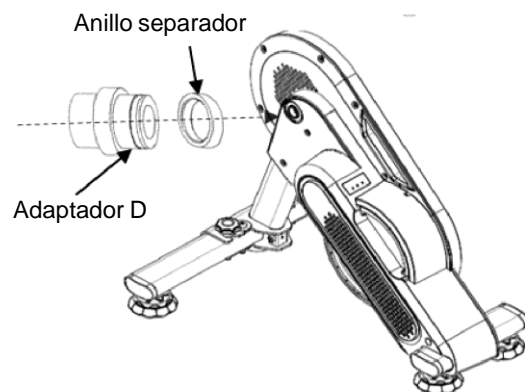
Use la llave de boca fija del kit de herramientas para alinear el extremo del adaptador C 142/148 y bloquee la tapa del extremo hacia la derecha. De esta forma termina la sustitución de la tapa del extremo derecho.

• **Instalación de la tapa del extremo izquierdo 142/148**

Instale el adaptador D 142/148 (lado de goma negro) y el anillo separador (adaptador E) en el orificio del eje del cuerpo principal.

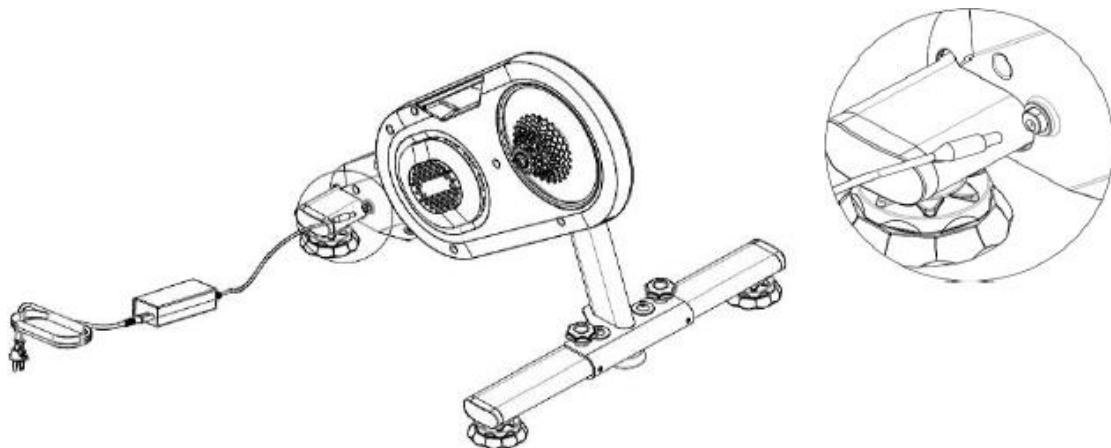
En marcos de bicicleta 142W, instale en el orificio del eje sin anillo separador.

En marcos de bicicleta 148W, instale en el orificio del eje con anillo separador.



- **Instalación del adaptador de corriente**

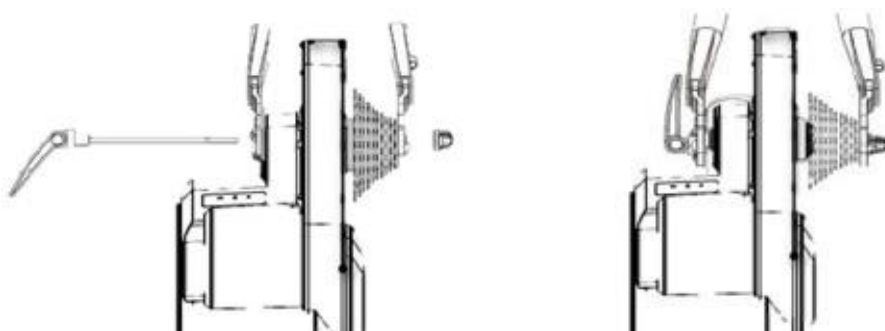
Conecte el cable de alimentación al conector de CC de la parte inferior de la carcasa derecha.



- **Montaje de la bicicleta**

Coloque la cadena de su bicicleta en el piñón más pequeño del cassette y, a continuación, quite la rueda trasera. Alinee la cadena de la bicicleta con el piñón más pequeño del cassette y, a continuación, coloque la cadena y monte la bicicleta en el eje del NOZA V en una posición en la que pueda montar en ella.

Use la palanca del cierre rápido de la bicicleta con cuidado. Cuando el arco del brazo giratorio de la palanca del cierre rápido mira hacia afuera, significa que la palanca está abierta. Gire el brazo giratorio de la palanca hacia la derecha para apretar la palanca del cierre rápido. El brazo giratorio de la palanca del cierre rápido debe colocarse en el otro lado del cassette del NOZA V.



Consulte la ilustración que aparece a continuación para instalar la bicicleta de eje pasante. Inserte el eje pasante desde el otro lado del cassette y apriete el eje.



Atención:

1. Apriete bien la palanca del cierre rápido y el eje pasante para evitar daños materiales o personales. Si no puede apretar la palanca del cierre rápido y el eje pasante, póngase en contacto con su distribuidor o con el servicio de atención al cliente de Xplova. NO intente usar el NOZA V en esta situación.
2. Al montar la bicicleta, levante la rueda delantera y empuje el cuadro hacia abajo para montar bien la bicicleta en el NOZA V.

■ Descripciones del indicador del Xplova NOZA V

Indicador	Color	Descripción
Encendido	Ámbar	Constante: iniciándose
BLE	Azul	Parpadeando: conectando Constante: conexión correcta
ANT+	Verde	Parpadeando: conectando Constante: conexión correcta

■ Guía de inicio rápido de los juegos de ciclismo

1. Descargue algún software de entrenamiento de juegos de ciclismo en el PC/MAC o el smartphone. Algunos de los juegos clave son:
 - ZWIFT: www.zwift.com
 - Rouvy: rouvy.com
 - Onelap: www.onelap.cn



2. Tras la instalación del juego y la configuración de la conexión con el NOZA V, solo se mostrarán los datos de encendido y velocidad.
3. Cuando se monte en la bicicleta, podrá iniciar la experiencia de entrenamiento de los juegos.



■ Programa de entrenamiento y carga de los datos del entrenamiento

Use la aplicación Xplova Workout Plus para controlar el La serie NOZA V y disfrutar de varios programas de entrenamiento.

Si desea realizar un análisis más detallado, puede utilizar la aplicación Xplova Workout Plus para cargar los datos en el sitio web y analizarlos.

■ Más funciones sorprendentes

Si desea disfrutar de todas las funciones del NOZA V, le recomendamos que instale la aplicación Xplova Workout Plus en su smartphone. La aplicación Xplova Workout Plus le permite:

- Ver/almacenar registros de entrenamiento
- Cargar los registros en distintas plataformas (como Xplova, Strava, TrainingPeak, etc.)

Visite Google Play o App Store para buscar "Xplova Workout Plus" y descargar e instalar la aplicación. Si desea obtener más información sobre el producto, visite nuestro sitio web oficial en www.xplova.com y descargue el manual de usuario.

■ Especificaciones

Dimensiones	615 x 598 x 505 mm
Precisión	±2%
Salida de potencia máx.	2200 W
Peso del volante de inercia	3,4 kg
Inclinación simulada máx.	20%
Nivel sonoro	58 dB
Transmisión mecánica	Requiere la compra o instalación de un cassette nuevo: compatible con cassettes Shimano y SRAM de 8, 9, 10 y 11 velocidades
Conectividad	BLE FTMS y ANT+ FE-C
Requisitos eléctricos	100 - 240 V, 2,5 A, 50 Hz - 60 Hz
Dimensiones de la caja	700 x 280 x 580 mm

PRECAUCIONES DE SEGURIDAD Y NORMATIVAS

■ Precauciones de seguridad antes del uso

1. Para evitar peligros, cuando el rodillo de entrenamiento para bicicleta esté activo, no lo toque y no permita que haya otras personas, animales u objetos cerca.
2. Consulte a su entrenador antes de iniciar ningún plan de entrenamiento.
3. NO acerque las manos ni ningún objeto a las piezas giratorias del Xplova NOZA V.
4. El volante de inercia/cassette del Xplova NOZA V puede calentarse cuando lo use durante algún tiempo. NO toque el volante de inercia/cassette durante un tiempo.
5. NO intente desmontar la bicicleta cuando el cassette esté en funcionamiento.
6. Cuando use el Xplova NOZA V, mantenga alejados a los niños y las mascotas para evitar lesiones.
7. El Xplova NOZA V puede instalarse y usarse sobre una superficie firme y nivelada.
8. Durante el entrenamiento, monte en la bicicleta de forma segura.
9. Mantenga el aparato alejado del agua.
10. Antes del entrenamiento debe comprobar que la bicicleta esté bien fijada al Xplova NOZA V.
11. El Xplova NOZA V solo puede usarse completamente montado.
12. Cuando use el Xplova NOZA V, solo podrá emplear accesorios certificados por Xplova.

■ Avisos

1. Xplova no será responsable en el caso de que los usuarios empleen software, aplicaciones o dispositivos de otras empresas que causen una avería en el Xplova NOZA V.
2. Dado que ANT+™ y Bluetooth se excluyen mutuamente, es imposible que el Xplova NOZA V envíe datos de forma simultánea a través de ANT+™ y Bluetooth; es decir, cuando se usa uno de los protocolos, el Xplova NOZA V detiene de forma automática el otro para evitar la posibilidad de que fallen los programas del NOZA V.
3. Los dispositivos que emiten ondas electromagnéticas pueden causar interferencias y cambiar el funcionamiento normal del Xplova NOZA V o impedirlo totalmente. Por lo tanto, cuando entrene con el NOZA V le recomendamos que se aleje de líneas de alta tensión, semáforos o catenarias.
4. Cuando no use el Xplova NOZA V, asegúrese de no exponerlo a la luz solar directa durante períodos prolongados.

■ Descargo de responsabilidad

¡Atención! Xplova no será responsable por lesiones temporales o permanentes que sufra el usuario debido a su utilización del Xplova NOZA V (ni directa ni indirectamente).

■ Mantenimiento y cuidado

1. Para limpiar el rodillo de entrenamiento para bicicleta, use aceite lubricante neutro. NO use detergentes corrosivos.
2. NO bruña la superficie del rodillo de entrenamiento para bicicleta ni la perfora. Los arañazos y las perforaciones causarían grietas.
3. Coloque el rodillo de entrenamiento para bicicleta en un espacio interior y manténgalo seco para evitar que la humedad lo dañe.

■ Política de garantía limitada de los productos de Xplova

Esta garantía limitada de los productos se aplica a los productos de Xplova, incluidos todos los accesorios que contenga la caja de regalo original de Xplova. Xplova garantiza que los productos de sus distribuidores y vendedores oficiales cumplirán las especificaciones del producto correspondiente y no tendrán defectos de material ni mano de obra durante la vigencia de la garantía limitada de los productos, **un año** a partir de la fecha de compra original, si los productos se usan y mantienen de acuerdo con el manual del usuario y la restante documentación facilitada al comprador en el momento de la compra. A esta garantía limitada del producto se le aplican los siguientes términos y condiciones:

1. Para acceder al servicio de garantía necesitará un comprobante de compra (original o copia del recibo del vendedor original).
2. Esta garantía limitada del producto solo es válida y aplicable en el país o la región en los que se vendió el producto.
3. Esta garantía limitada del producto le ofrece la reparación o la sustitución del producto defectuoso, según Xplova considere oportuno, durante la validez de la garantía limitada del producto. Xplova no sustituirá componentes que falten en paquetes adquiridos en subastas de Internet.
4. Para acceder al servicio de garantía, póngase en contacto con su distribuidor oficial local de Xplova o con Xplova para solicitar instrucciones de envío y un número de RMA.
5. Esta garantía limitada del producto cubre los gastos de inspección y reparación del producto durante la validez de la garantía limitada del producto. El comprador debe enviar el producto defectuoso, junto con el comprobante de compra y el número de RMA, a las instalaciones indicadas y correr con los gastos de dicho envío.
6. Xplova enviará el producto reparado o sustituido en perfectas condiciones de funcionamiento al punto de entrega para que el cliente lo recoja. Los productos o componentes defectuosos sustituidos pasarán a ser propiedad de Xplova.
7. Si Xplova repara o sustituye el producto, el producto reparado o sustituido continuará cubierto por la garantía durante la validez restante de la garantía

original o durante tres (3) meses a partir de la fecha de reparación o sustitución (el período mayor).

8. Xplova se reserva el derecho de añadir, eliminar o modificar los términos y condiciones en cualquier momento sin previo aviso en el sitio web indicado a continuación.
9. **ESTA GARANTÍA LIMITADA NO SE APLICARÁ SI EL DAÑO SE DEBE A CUALQUIERA DE LAS SIGUIENTES CAUSAS:**
 - A. El número de serie del producto se ha eliminado, borrado, desfigurado o modificado o es ilegible.
 - B. Daños resultantes del uso del producto de forma distinta a la normal y habitual.
 - C. Deterioro del producto provocado por el desgaste normal.
 - D. Daños derivados de instalaciones incorrectas, reparaciones no autorizadas o modificaciones de este producto realizadas por terceros distintos de Xplova o las personas designadas por Xplova.
 - E. Daños derivados de emplear componentes o accesorios no autorizados o proporcionados oficialmente por Xplova o utilizados para un fin que no es el previsto.
 - F. Daños derivados de la exposición a condiciones anómalamente corrosivas o del uso con calor o humedad extremos.
- 10 **XPLOVA NO SERÁ RESPONSABLE DE NINGÚN TIPO DE PÉRDIDAS O DAÑOS INCIDENTALES O INDIRECTOS, LO QUE INCLUYE, ENTRE OTRAS COSAS, LA PÉRDIDA DE BENEFICIOS Y LA PÉRDIDA COMERCIAL, EN LA MEDIDA EN QUE LA LEY PERMITA LA EXENCIÓN DE RESPONSABILIDAD POR ESAS PÉRDIDAS O DAÑOS.**
11. Esta garantía limitada de los productos no afecta a los derechos legales que tenga el cliente de acuerdo con la legislación específica del país en el que realizó su compra: se garantiza la protección de dichos derechos. Algunos países no permiten la exclusión o la limitación de las pérdidas o los daños incidentales o indirectos, o la limitación de las garantías implícitas; en ese caso, es posible que la anterior limitación de responsabilidad no se aplique a dichos clientes.

Cobertura de la garantía:

1. En condiciones de uso normales, la unidad principal del producto y los componentes disfrutarán de servicio de mantenimiento posventa gratuito durante un año.
2. En caso de tener que enviar el producto a reparar a nuestro centro de servicio técnico, es imprescindible presentar el recibo o factura original de compra. Puede aplicarse una tarifa de servicio de acuerdo con esta garantía del producto.

Tenga en cuenta que el Período de Garantía Limitada de los Productos, así como los tiempos de respuesta y la disponibilidad de los servicios, pueden variar de un país a otro, y que también puede existir un requisito de registro en el país en el que se realizó la compra. Si tiene alguna duda sobre las condiciones de la garantía o sobre cualquier otro asunto, póngase en contacto con el minorista original o con Xplova.

Sitio web: <https://www.xplova.com>

ÍNDICE

Conhecendo seu NOZA V.....	1
Conteúdo da embalagem	1
Apresentação da aparência do produto	2
Instruções de montagem.....	3
Montagem do Xplova NOZA V	3
Acoplamento do cassete	4
Montagem da bicicleta	6
Descrições do indicador do Xplova NOZA V.....	8
Jogo de ciclismo QSG.....	8
Programa de treinamento e carregamento de dados do pedal.....	8
Mais funções incríveis	9
Especificações	9
Precauções regulamentos de segurança	10
Precauções de segurança antes do uso.....	10
Avisos	10
Isenção de responsabilidade	11
Manutenção e cuidado.....	11
Política de garantia limitada do produto Xplova.....	11

CONHECENDO SEU NOZA V

■ Conteúdo da embalagem



Unidade principal do rolo de treino de bicicleta Xplova NOZA V



4x

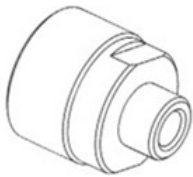
Estabilizador



1x



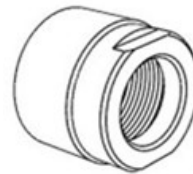
Kit de liberação rápida



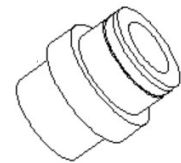
Adaptador A – para liberação rápida porca do cassete



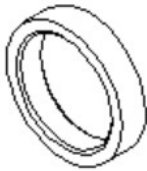
Adaptador B – para liberação rápida 130mm/135mm



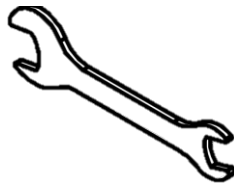
Adaptador C – para eixo passante porca do cassete



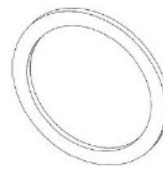
Adaptador D – para eixo passante 12x142/12x148mm



Adaptador E – para eixo passante 12x148mm Anel espaçador



Chave de boca 13 / 17



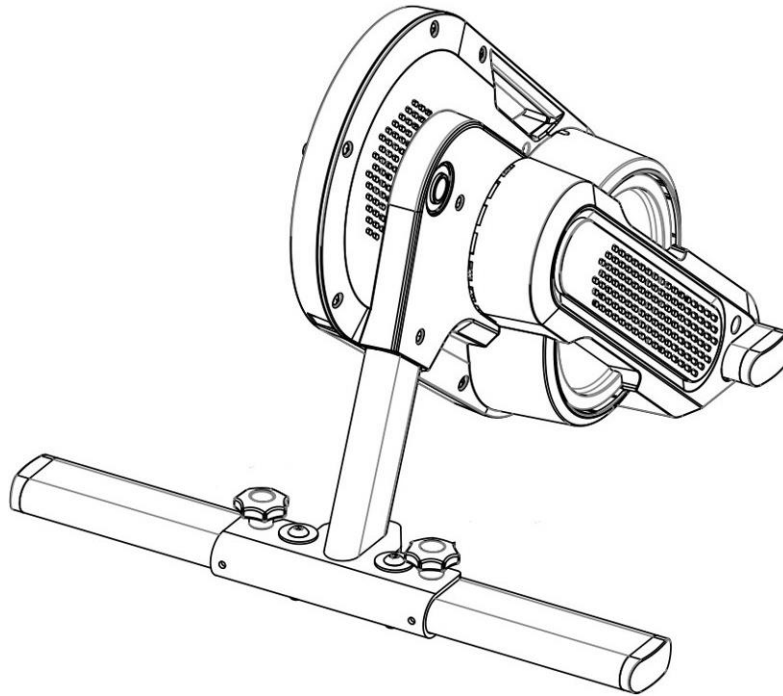
Arruela do cassete de 1,8mm



Carregador

Observação: Os acessórios podem variar de acordo com o país ou região.

■ **Apresentação da aparência do produto**

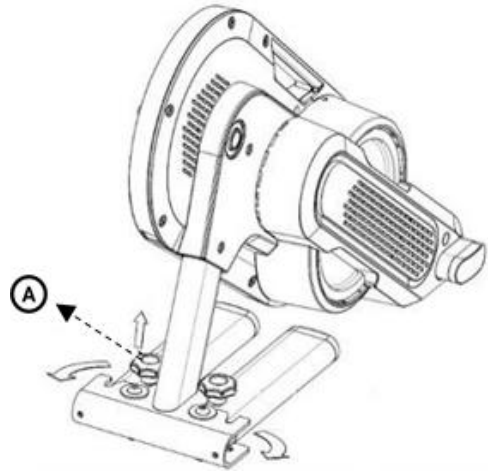


INSTRUÇÕES DE MONTAGEM

■ Montagem do Xplova NOZA V

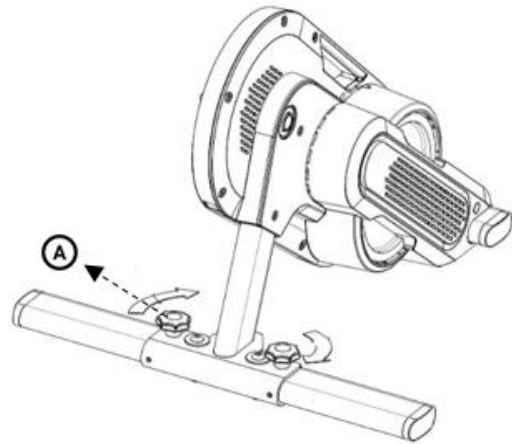
• Desdobre o suporte

Coloque o NOZA V em um piso estável e puxe os botões (A) ligeiramente para cima na direção da seta. Estenda o tubo inferior esquerdo e direito na direção da seta.



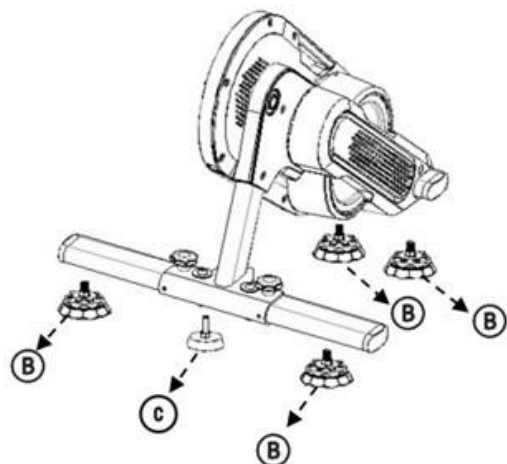
• Aperte os botões

Aperte os botões (A) ligeiramente na direção da seta para travar o tubo inferior esquerdo e direito.



• Instale os estabilizadores

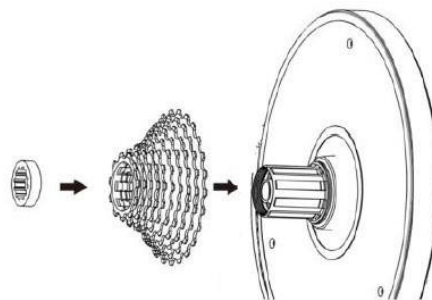
Aparafuse quatro estabilizadores de suporte (B) e um estabilizador de ajuste (C) para cima na posição adequada. Ajuste a altura dos estabilizadores de acordo com as condições do piso para que os estabilizadores de suporte (B) fiquem firmes.



■ Acoplamento do cassete

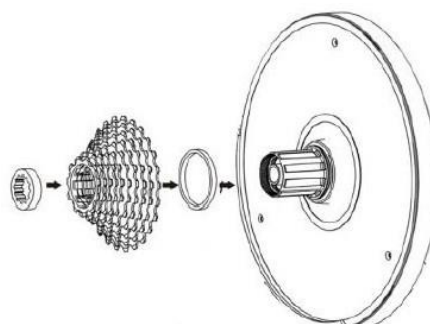
- **Acoplamento de um cassete compatível de 11 velocidades**

Acople o cassete no corpo do cassete manualmente e use a porca para fixá-lo. Use o soquete de remoção de cassete para fixá-lo firmemente no corpo do cassete NOZA V (a ferramenta não está incluída).



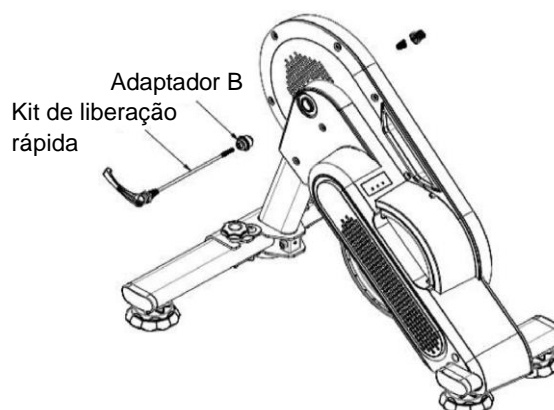
- **Acoplamento de um cassete de 9 ou 10 velocidades**

Antes de acoplar um cassete de 9 ou 10 velocidades é necessário colocar a arruela do cassete de 1,8mm no corpo do cassete primeiro e depois fixar o cassete firmemente no corpo do NOZA V como mencionado acima.

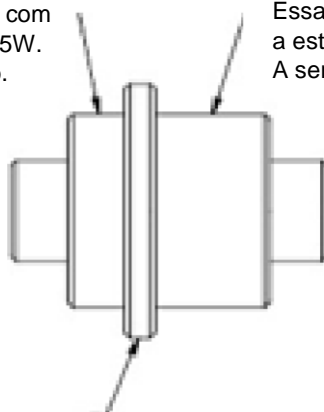


- **Instalação da liberação rápida de 130mm ou 135mm**

Ao instalar uma estrutura de bicicleta de liberação rápida é necessário usar o adaptador A, o adaptador B e o kit de liberação rápida (esses três acessórios estão incluídos na embalagem). Consulte a ilustração à direita para informar-se sobre a instalação.



Essa extremidade é para uso com a estrutura de bicicleta de 135W. A ser inserida no furo do eixo.

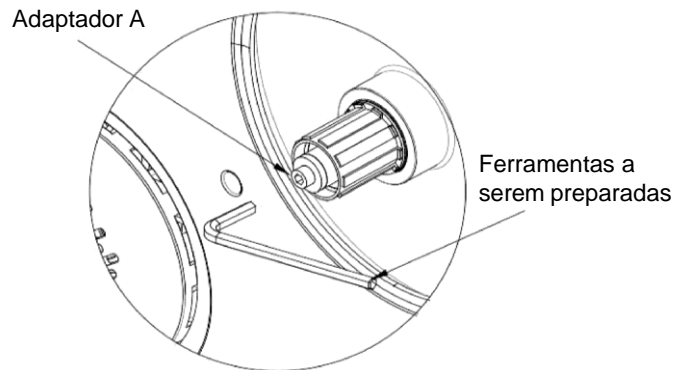
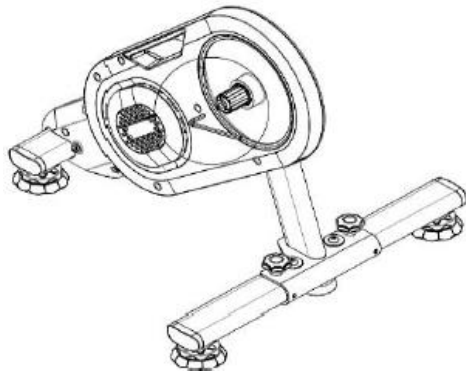


Adaptador B

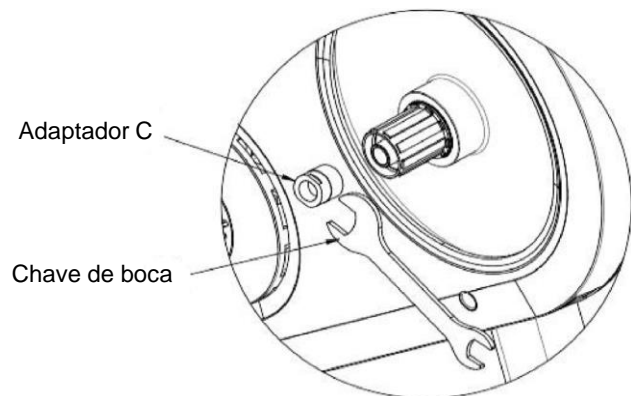
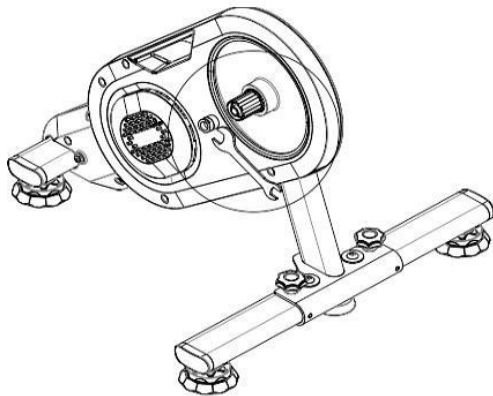
Essa extremidade é para uso com a estrutura de bicicleta de 130W. A ser inserida no furo do eixo.

• **Instalação do eixo passante de 142mm ou 148mm**

Ao instalar em uma estrutura de bicicleta de eixo passante é necessário usar os adaptadores C e D (os dois acessórios estão incluídos na embalagem). Consulte as seguintes ilustrações para a instalação.



Use uma chave de boca de 5mm para remover o adaptador A à direita no sentido anti-horário.



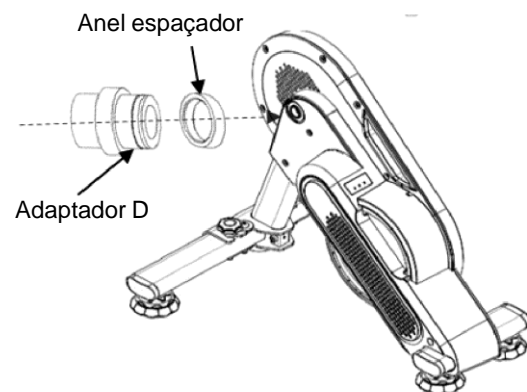
Use a chave de boca do kit de ferramentas para alinhar a extremidade do adaptador C 142/148 e trave a tampa da extremidade no sentido horário. Isso conclui a colocação da tampa da extremidade direita.

• **Instalação da tampa da extremidade esquerda 142/148**

Instala o adaptador D 142/148 (lado de borracha preto) e o anel espaçador (adaptador E) no furo do eixo no corpo principal.

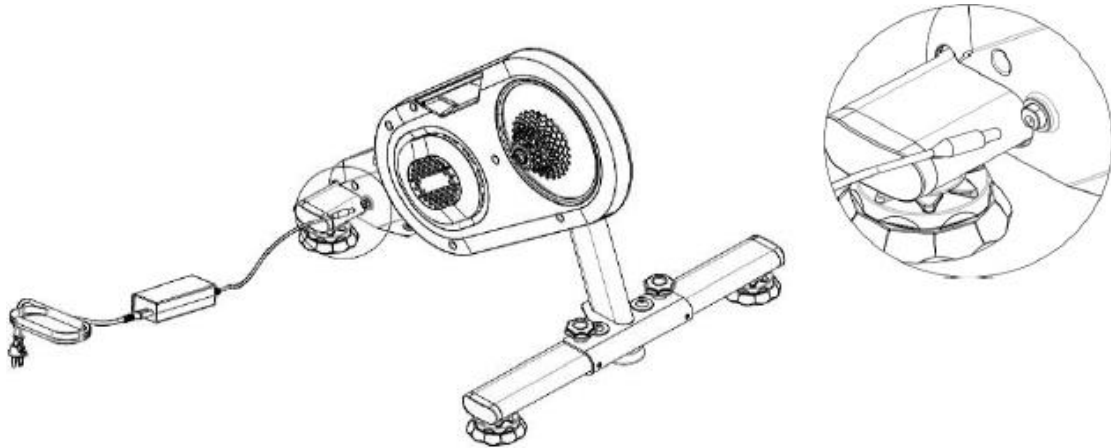
Para estrutura de bicicleta 142W, instale no furo do eixo sem o anel espaçador.

Para estrutura de bicicleta 148W, instale no furo do eixo com o anel espaçador.



- **Instalação do carregador**

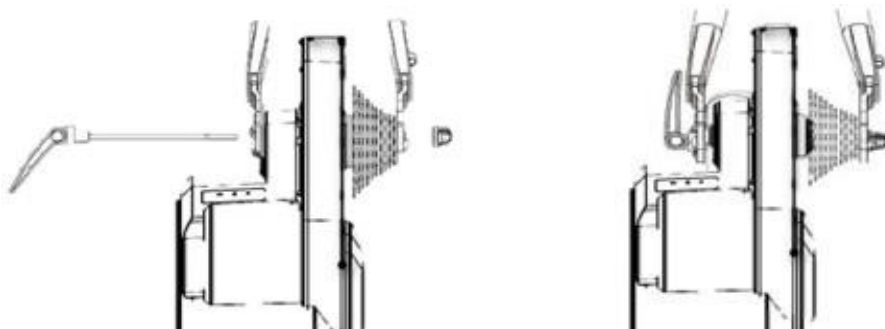
Conexão do cabo de alimentação ao conector DC na parte inferior do alojamento direito.



- **Montagem da bicicleta**

Mude a corrente de sua bicicleta para a menor roda dentada do cassete e em seguida remova a roda traseira. Alinhe a corrente da bicicleta com a menor roda dentada do cassete e coloque a corrente e monte a bicicleta no eixo do NOZA V para que ela fixe em uma posição adequada para pedalar.

Use a alavanca de liberação rápida da bicicleta adequadamente e com cuidado. Quando o arco do braço rotativo da alavanca de liberação rápida está virado para fora, significa que a alavanca está no estado liberado. Gire o braço rotativo da alavanca no sentido horário para apertar a alavanca de liberação rápida. O braço rotativo da alavanca de liberação rápida deve ser colocado no outro lado do corpo do cassete do NOZA V.



Consulte a seguinte ilustração para saber como instalar o eixo passante da bicicleta. Insira o eixo passante do outro lado do cassete e aperte o eixo.



Atenção:

1. Aperte firmemente a alavanca de liberação rápida e o eixo passante para evitar danos a propriedades ou ao corpo humano. Se você não conseguir apertar a alavanca de liberação rápida e o eixo passante, entre em contato com o revendedor ou com o atendimento ao cliente da Xplova. NÃO tente usar o NOZA V nessa situação.
2. Ao montar a bicicleta, levante a roda dianteira e pressione a estrutura para baixo para montar a bicicleta firmemente no NOZA V.

■ Descrições do indicador do Xplova NOZA V

Indicador	Cor	Descrição
Liga/Desliga	Âmbar	Constante: inicializando
BLE	Azul	Piscando: conectando Constante: conexão bem-sucedida
ANT+	Verde	Piscando: conectando Constante: conexão bem-sucedida

■ Jogo de ciclismo QSG

1. Baixe algum software de treinamento de jogo de ciclismo no PC/MAC ou smartphone. Veja alguns dos principais jogos:
 - ZWIFT: www.zwift.com
 - Rouvy: rouvy.com
 - Onelap: www.onelap.cn



2. Após a instalação do jogo e a configuração da conexão com o NOZA V, somente os dados de alimentação e velocidade serão exibidos.
3. Quando você subir na bicicleta, estará pronto para iniciar a experiência de treinamento do jogo.



■ Programa de treinamento e carregamento de dados do pedal

Use o aplicativo Xplova Workout Plus para controlar o NOZA V e usar vários programas de treinamento.

Se você quiser conduzir uma análise mais detalhada, poderá usar o aplicativo Xplova Workout Plus para carregar seus dados no site para serem analisados.

■ Mais funções incríveis

Se você quiser experimentar todas as funções do NOZA V, recomendamos a instalação do aplicativo Xplova Workout Plus em seu smartphone. O aplicativo Xplova Workout Plus permite que você:

- Visualize/armazene registros de treinamento
- Carregue os registros em diferentes plataformas (como Xplova, Strava, TrainingPeak, etc)

Acesse a Google Play ou App Store para pesquisar pelo "Xplova Workout Plus" para baixar e instalar o aplicativo. Caso deseje entender melhor o produto, acesse nosso site oficial www.xplova.com e baixe o Manual do usuário.

■ Especificações

Dimensões	615 x 598 x 505 mm
Precisão	±2%
Potência máxima de saída	2200 W
Peso do volante	3,4 KG
Inclinação máxima simulada	20%
Nível sonoro	58 dB
Trem de força	Exige a compra/instalação de novo cassete: Compatível com cassete Shimano e SRAM de 8/9/10/11 velocidades
Conectividade	BLE FTMS e ANT+ FE-C
Requisitos elétricos	100 - 240 V, 2,5 A, 50 Hz - 60 Hz
Dimensões da caixa	700 x 280 x 580 mm

PRECAUÇÕES REGULAMENTOS DE SEGURANÇA

■ Precauções de segurança antes do uso

1. Quando o rolo de treino de bicicleta estiver ativo, não toque nele e mantenha pessoas, animais ou objetos afastados para evitar riscos.
2. Consulte seu treinador antes de iniciar qualquer plano de treinamento.
3. NÃO coloque as mãos ou qualquer outro objeto perto das peças rotativas do Xplova NOZA V.
4. O volante/cassete do Xplova NOZA V pode ficar quente depois que você usá-lo por algum tempo. NÃO toque no volante/cassete logo em seguida.
5. NÃO tente desmontar a bicicleta quando o cassete estiver funcionando.
6. Durante o uso do Xplova NOZA V, mantenha crianças e animais de estimação afastados para evitar ferimentos.
7. O Xplova NOZA V pode ser instalado e usado apenas em piso firme e nivelado.
8. Durante o treinamento, pedale com segurança.
9. Mantenha distância da água.
10. Antes do treinamento, você deve verificar se a bicicleta está firmemente fixada ao Xplova NOZA V.
11. O Xplova NOZA V somente pode ser usado depois de completamente montado.
12. Ao usar o Xplova NOZA V, você também pode usar acessórios certificados pela Xplova.

■ Avisos

1. A Xplova não se responsabiliza por usuários que usem software, aplicativos e dispositivos de outras empresas e que resultem em mau funcionamento do Xplova NOZA V.
2. Como as tecnologias ANT+™ e Bluetooth são mutuamente excludentes, é impossível para o Xplova NOZA V enviar dados simultaneamente através de ANT+™ ou Bluetooth, isto é, quando um dos protocolos estiver em uso, o Xplova NOZA V interrompe automaticamente o outro protocolo para evitar a possibilidade de causar erros nos programas do NOZA V.
3. Dispositivos de rádio pode causar interferência e alterar ou evitar completamente que o Xplova NOZA V funcione normalmente. Portanto, ao treinar usando o NOZA V, aconselhamos que você fique longe de linhas de alta tensão, sinais de trânsito, linhas de energia ferroviárias, ônibus ou trens.
4. Quando o Xplova NOZA V não estiver em uso, certifique-se de não expô-lo a luz solar direta por períodos prolongados.

■ Isenção de responsabilidade

Atenção! A Xplova não se responsabiliza por ferimentos temporários ou permanentes ao usuário pelo uso do Xplova NOZA V (direta ou indiretamente).

■ Manutenção e cuidado

1. Ao limpar o rolo de treino de bicicleta, use óleo lubrificante neutro. NÃO use detergentes corrosivos.
2. NÃO lustre a superfície do rolo de treino de bicicleta nem faça furos. Arranhões ou furos levarão à ocorrência de trincas.
3. Deixe o rolo de treino de bicicleta em ambientes internos e mantenha-o seco para evitar danos devido à umidade.

■ Política de garantia limitada do produto Xplova

Essa garantia limitada do produto Xplova se aplica a produtos Xplova, incluindo todos os acessórios contidos na caixa original Xplova. A Xplova garante que os produtos de seus distribuidores e varejistas autorizados atendem às especificações aplicáveis do produto e estão livres de todos os defeitos de material e mão de obra durante o período da garantia limitada do produto, **um ano** a partir da data da compra original, se os produtos forem usados e reparados de acordo com o manual do usuário e outra documentação fornecida ao comprador no momento da compra. Esta garantia limitada do produto está sujeita aos seguintes termos e condições:

1. Para obter o serviço de garantia, é necessário apresentar um comprovante de compra, original ou cópia da nota fiscal.
2. Esta garantia limitada do produto é válida e aplicável somente no país/região em que o produto é vendido.
3. Fica a critério exclusivo da Xplova reparar ou substituir o produto defeituoso durante o período de garantia limitada do produto. A Xplova não substitui componentes ausentes de nenhuma embalagem comprada através de leilões on-line.
4. Para obter serviço de garantia, entre em contato com seu revendedor autorizado Xplova ou diretamente com a Xplova para obter instruções de envio e um número RMA (Autorização de devolução de produto).
5. Esta garantia limitada do produto cobre despesas de inspeção e reparo do produto durante o período de garantia. O produto defeituoso deverá ser entregue pelo comprador às suas próprias custas nas instalações designadas, junto com o comprovante de compra e o número do RMA.
6. A Xplova devolverá o produto reparado ou substituído ao depósito para coleta pelo cliente em boas condições de funcionamento. Todos os produtos ou componentes defeituosos substituídos se tornam propriedade da Xplova.
7. Se a Xplova reparar ou substituir o produto, este continuará sob garantia pelo tempo restante do período de garantia original ou por três (3) meses a partir da data do reparo ou substituição, o que for mais longo.

8. A Xplova se reserva o direito de adicionar, excluir ou emendar os termos e as condições a qualquer momento, sem notificação prévia em seu site indicado a seguir.
- 9. ESTA GARANTIA LIMITADA NÃO SE APLICA SE O DANO FOR CAUSADO POR QUALQUER UM DOS SEGUINTE ITENS:**
- A. O número de série do produto tiver sido removido, apagado, desfigurado, alterado ou se estiver ilegível.
 - B. O dano for resultante do uso do produto de maneira diferente do uso normal e costumeiro.
 - C. Deterioração do produto devido ao desgaste natural.
 - D. O dano seja decorrente da instalação inadequada, reparo não autorizado, alteração ou modificação neste produto por terceiros que não a Xplova ou seu designado.
 - E. O dano seja decorrente da operação com componentes ou acessórios não autorizados oficialmente ou fornecidos pela Xplova ou usados para outros fins que não o pretendido.
 - F. O dano seja decorrente da exposição a condições anormalmente corrosivas ou operação com calor ou umidade extremos.
- 10 A XPLOVA NÃO SE RESPONSABILIZA POR PERDAS OU DANOS ACIDENTAIS OU CONSEQUENCIAIS DE QUALQUER NATUREZA, INCLUINDO, MAS NÃO SE LIMITANDO À PERDA DE LUCROS OU PERDAS COMERCIAIS, NA EXTENSÃO MÁXIMA QUE ESSAS PERDAS OU DANOS PODEM SER REJEITADOS POR LEI.**
11. Esta garantia limitada do produto não afeta os direitos legais do cliente específicos ao país da compra. Tais direitos permanecem protegidos. Alguns países não permitem a exclusão ou a limitação de perdas ou danos acidentais ou consequenciais ou a limitação de garantias explícitas. Nesse caso, a limitação de exclusão anterior não pode ser aplicada a esses clientes.

Cobertura da garantia:

- 1. Em condições normais de uso, a unidade principal e os componentes do produto têm serviços de manutenção grátis pós-venda por um ano.
- 2. Apresente o comprovante de compra original ou a nota fiscal com a garantia do produto ao solicitar o serviço. A taxa de serviço pode ser cobrada de acordo com essa Garantia do produto.

Observe que o período de garantia limitada do produto e a disponibilidade do serviço e os tempos de resposta podem variar de país a país e também podem estar sujeitos a requisitos de registro no país da compra. Caso precise de assistência sobre as condições da garantia ou caso tenha qualquer outra dúvida entre em contato com o revendedor original ou com a Xplova.

Site: <https://www.xplova.com>



NOZA V BIKE POWER TRAINER

Product Warranty / 產品保固服務卡 / 製品保証書 / 제품 보증 / Produktgarantie / Garantie du produit / Garantie / Garantía del producto / Garantia do produto

Please retain the original purchase receipt or approval in order to protect your right of free warranty service.

務必保留原購買收據或是發票，以保障您的保固權益。

保証を受ける際には、購入日・購入店名が証明できる書類（レシートなど）を添えてください。

무료 보증 서비스를 받을 권리를 보호하기 위해 원본 구매 영수증 또는 구매 승인서를 보관하십시오.

Zum Schutz Ihres Rechts auf kostenlosen Garantieservice bitte Originalkaufbeleg oder Rechnung aufbewahren.

Veillez conserver le reçu ou le ticket d'achat original pour assurer votre droit au service de garantie gratuite.

Bewaar het oorspronkelijke aankoopbewijs of goedkeuring voor uw recht op gratis garantie.

Con el fin de proteger sus intereses, asegúrese de conservar el recibo o factura original de compra durante dos años después de adquirir este producto.

Guarde o recibo de compra original ou a aprovação para proteger seus direitos de obter serviço de garantia grátis.

	Serial Number / 產品序號 / シリアル番号 / 일련번호 / Seriennummer / Numéro de série / Seriennummer / Número de Serie / Número de série
	Purchase Date / 購買日期 / 購入年月日 / 구매일 / Kaufdatum / Date d'achat / Aankoopdatum / Fecha de compra / Data da compra
	Dealer stamps / 經銷商蓋印處 / 購入販売店捺印 / 딜러 스탬프 / Händlerstempel / Cachet du revendeur / Stempel van dealer / Sellos del distribuidor / Carimbos do revendedor

Acer Gadget Contact Details

This Warranty is provided by :

Acer Gadget Inc.

24F., No. 112, Sec. 1, Xintai 5th Rd.,
XizhiDist., New Taipei City 221411,
Taiwan

Phone: +886-2-2696-0296

■ **ServiceInformation/全球服務據點/サービス情報/서비스정보/ Serviceinformationen / Informations de service / Service-informatie / Información del servicio / Informações sobre serviços**

Italia

- lunedì ~ venerdì
- 9:00/13:00 - 14:00/18:00
- +39 02 36 00 49 52
- xplovaServiceIT@Sertec360.com

Deutschland

- Montag ~ Freitag
- 9:00 - 17:30
- +49 04102 9982 811
- xplovaServiceDE@Sertec360.com

United Kingdom

- Monday ~ Friday
- 9:00 - 18:00
- +44 0371 760 1019
- xplovaServiceUK@Sertec360.com

France

- lundi ~ vendredi
- 9:00/13:00 - 14:00/18:00
- +33 01 72 02 30 63
- xplovaServiceFR@Sertec360.com

España

- Lunes ~ Viernes
- 9:30/13:30 - 14:30/18:30
- +34 91 414 24 07
- xplovaServiceES@Sertec360.com

BeNeLux

- Maandag ~ Vrijdag (Lunedì~Venerdì)
- 9:00am - 17:00pm
- +32 078484672
- xplovaserviceBFR@sertec360.com
- xplovaserviceBDU@sertec360.com

Denmark

- Mandag ~ Fredag
- 09:00 – 17:00
- +4578737424
- XplovaServiceDK@Sertec360.com

Australia

- Monday~Friday
- 09: 00 ~ 17: 00
- <https://www.bikesportz.com.au/contact>

Portugal

- Mon-Fri
- 10:00/14: 00 – 15:00/19:00
- XplovaServiceES@Sertec360.com

台灣

海伯特維修中心

- 週一~ 週五
- 08:30 - 17:00
- +886 2 2790 3878

現場維修收件: (未提供現場快修)

台北市信義區松信路163號

- service@xplova.com

Thank you again for purchasing the Xplova NOZA V.
Xplova reserves the right to design, change specifications, and improve quality.
Should you have any questions regarding use of the bike trainer,
please visit our website at: www.xplova.com.

再次感謝您購買 Xplova NOZA V。
本公司保有產品設計、規格變更、品質改善的權利。
如果您對於使用單車互動訓練台有任何的疑問，
請參考我們的網站 www.xplova.com。

Xplova NOZA V をお買い上げいただき、ありがとうございます。
Xplova は、設計、仕様の変更、品質向上を行う権利を有します。
バイクトレーナーの使用について不明な点がございましたら、
弊社の Web サイト www.xplova.com までアクセスしてください。

Xplova NOZA V 를 구입해 주셔서 다시 한번 감사드립니다 .
Xplova 는 디자인에 대한 권리 , 사양 변경에 대한 권리와 품질 향상에 대한 권리를 보유하고 있습니다 .
자전거 트레이너 사용에 관하여 질문이 있는 경우 당사 웹사이트를 방문하십시오 : www.xplova.com.

Nochmals vielen Dank, dass Sie sich für den Xplova NOZA V entschieden haben.
Xplova behält sich das Recht vor, das Design zu ändern, Spezifikationen zu ändern und die Qualität zu verbessern.
Sollten Sie Fragen zur Nutzung des Fahrradtrainers haben, besuchen Sie bitte unsere Webseite unter:
www.xplova.com.

Encore merci d'avoir acheté le Xplova NOZA V.
Xplova se réserve le droit de concevoir, de changer les spécifications et d'améliorer la qualité.
Si vous avez des questions concernant l'utilisation du vélo stationnaire, veuillez visiter notre site Web sur
www.xplova.com

Nogmaals bedankt voor het kopen van de Xplova NOZA V.
Xplova behoudt zich het recht voor het ontwerp en de specificaties te wijzigen en de kwaliteit te verbeteren.
Mocht u vragen hebben over de fietstrainer, bezoek dan onze website op: www.xplova.com.

Gracias de nuevo por comprar el Xplova NOZA V.
Xplova se reserva el derecho de diseñar, cambiar las especificaciones y mejorar la calidad.
Si tiene alguna pregunta sobre el uso del rodillo de entrenamiento para bicicleta, visite nuestro sitio web:
www.xplova.com.

Mais uma vez, obrigado por comprar a Xplova NOZA V.
A Xplova se reserva o direito de projetar, alterar especificações e melhorar a qualidade.
Caso tenha alguma dúvida sobre o uso do rolo de treino de bicicleta, acesse nosso site: www.xplova.com.

© 2022. All Rights Reserved.
Xplova NOZA V
This revision: 04/ 2022

© 2022. 版權所有。
Xplova NOZA V
本修訂版本：2022 年 4 月

© 2022. 全著作權所有。
Xplova NOZA V
發行年月：2022 年 4 月

© 2022. 모든 권리 보유 .
Xplova NOZA V
버전: 04/2022

© 2022. Alle Rechte
vorbehalten.
Xplova NOZA V
Diese Version: 04/ 2022

© 2022. Tous droits réservés.
Xplova NOZA V
Cette révision : 04/2022

© 2022. Alle rechten
voorbehouden.
Xplova NOZA V
Deze uitgave: 04/ 2022

© 2022. Reservados todos los
derechos.
Xplova NOZA V
La presente revisión: 04/2022

© 2022. Todos os direitos reservados.
Xplova NOZA V
Essa revisão: 04/2022